

# E-Series

Folding Platform

**E1500F-LI Rev01**  
**E1500F-LO Rev01**  
**E1500F-RI Rev01**  
**E1500F-RO Rev01**  
**E1300F-LI Rev01**  
**E1300F-LO Rev01**  
**E1300F-RI Rev01**  
**E1300F-RO Rev01**

**EN** Service manual



Thank you for choosing a

# E - SERIES

## from BraunAbility!

This manual is a complement to the installation and user manual for warnings and required precautions see the owner manual

If you have any questions about your customer’s adaptation, please feel free to contact us. Your feedback is important to us. It helps us in our work of continuously improving our product and its installation. You can find more information about us and our range of car adaptation solutions by visiting [www.braunability.eu](http://www.braunability.eu).

Once again, thank you for placing your confidence in our products!

This manual is referred to the following versions :

<b>E1500F-LI Rev01</b>	<b>E1300F-LI Rev01</b>
<b>E1500F-LO Rev01</b>	<b>E1300F-LO Rev01</b>
<b>E1500F-RI Rev01</b>	<b>E1300F-RI Rev01</b>
<b>E1500F-RO Rev01</b>	<b>E1300F-RO Rev01</b>



This product is designed for a specific purpose and should only be used accordingly.

---

3-4	Installation and Service Safety
5-7	Lift Operation Safety
8	Electrical Schematic
9	Hydraulic schematic
10-13	Hydraulic
14-15	Right Pump External
16-17	Right Pump Internal
18-19	Left Pump External
20-21	Left Pump Internal
22-27	Base Plate Assembly
28	Top Parallel Arm Assembly - Left / Right
29	Bottom Parallel Arm Assembly - Left / Right
30-31	Vertical Arm Assembly - Right
32-33	Vertical Arm Assembly - Left
34-35	Pin and Bearings Kit
36-37	Fold Arm Assembly - Right
38-39	Fold Arm Assembly - Left
40-44	Handrail Assembly - Left / Right
45-50	Platform Assembly
51-52	Content of the pallet upon delivery
53-55	Decals and Antiskid



## Safety Symbols

### SAFETY FIRST! Know That ....

The information contained in this manual and supplements (if included), is provided for your use and safety. Familiarity with proper installation, operation, maintenance and service procedures is necessary to ensure safe, trouble-free lift operation. Safety precautions are provided to identify potentially hazardous situations and provide instruction on how to avoid them.

**⚠ WARNING**

**This symbol indicates important safety information regarding a potentially hazardous situation that could result in serious bodily injury and/or property damage.**

**⚠ CAUTION**

**This symbol indicates important information regarding how to avoid a hazardous situation that could result in minor personal injury or property damage.**

### NOTICE

Additional information provided to help clarify or detail a specific subject.



This symbol indicates that there are dangerous energy levels present inside the enclosure of this product. To reduce the risk of fire or electric shock, do not attempt to open the enclosure or gain access to areas where you are not instructed to do so. Refer servicing to qualified service personnel only.



This symbol indicates that a condition where damage to the equipment resulting in injury to the operator could occur if operational procedures are not followed. To reduce the risk of damage or injury, refer to accompanying documents, follow all steps or procedures as instructed.



This symbol indicates a condition where injury or damage could occur if contact is made with the hot surface.



This symbol indicates an area to avoid bodily contact to prevent injury.



This symbol indicates the presence of high pressure hydraulic hoses. Use appropriate personal protective equipment when working on hydraulic system.



This symbol indicates the presence of a fire hazard. Avoid open flames or sparks when working with flammable materials to prevent injury or damage.



This symbol indicates a device weighs in excess of 139kg (306 lbs). Use of a fork lift or hoist is required.

These symbols will appear throughout this manual as well as on the labels posted on your lift.  
**Recognize the seriousness of this information.**

**Installation and Safety Symbols****⚠ WARNING**

If installation, maintenance or repair procedures cannot be completed exactly as provided in this manual or if the instructions are not fully understood, contact BraunAbility immediately. Failure to do so may result in serious bodily injury and/or property damage.

- ⚠ WARNING** Read this manual, supplement(s) and lift-posted operating instructions decals before performing installation, operation, or service procedures.
- ⚠ WARNING** Use appropriate personal protective equipment when installing and servicing lift.
- ⚠ WARNING** Remove any obstructions within the lift mounting/operating area prior to beginning installation procedures.
- ⚠ WARNING** Install lift and power platform to fully folded position before removing shipping straps.
- ⚠ WARNING** Do not fold or unfold the platform prior to positive securement of base plate mounting hardware.
- ⚠ WARNING** Check for obstructions such as gas lines, wires, exhaust, etc. before drilling or cutting during installation procedures.

- ⚠ WARNING** Route all cables clear of exhaust system, other hot areas, moving parts, wet areas, etc.
- ⚠ WARNING** Risk of electrical shock or fire! Use extra care when making electrical connections. Connect and secure as outlined in Installation Instructions and Wiring Diagrams.
- ⚠ WARNING** Adjust platform angle and floor level positioning of bridge plate before operating lift with passenger.
- ⚠ WARNING** Maintenance and repairs must be performed only by authorized service personnel.
- ⚠ WARNING** Follow the lift lubrication and maintenance schedule as outlined in the corresponding service manual.
- ⚠ WARNING** Disconnect the power cable at the battery prior to servicing.
- ⚠ WARNING** Never modify (alter) a BraunAbility lift.
- ⚠ WARNING** It is absolutely for operators to tamper with these devices and remove them during normal of the machine.
- ⚠ WARNING** Periodically check their efficiency.
- ⚠ WARNING** Replacement parts must be BraunAbility authorized replacements.
- ⚠ WARNING** Never install screws or fasteners (other than factory equipped).
- ⚠ WARNING** Whenever replacing a hydraulic cylinder or seals, lower platform fully.
- ⚠ WARNING** Failure to follow these safety precautions may result in serious bodily injury and/or property damage.

## Lift Operation Safety Precautions

**⚠ WARNING**

If the lift operating instructions, manual operating instructions and/or lift operation safety precautions are not fully understood, contact BraunAbility immediately. Failure to do so may result in serious bodily injury and/or property damage.

- ⚠ WARNING** Read manual and supplement(s) before operating lift. Read and become familiar with all safety precautions, operation notes and details, operating instructions and manual operating instructions before operating the lift.
- ⚠ WARNING** Load and unload on level surface only.
- ⚠ WARNING** Engage vehicle parking brake before operating lift.
- ⚠ WARNING** Provide adequate clearance outside the vehicle to accommodate the lift before opening lift door(s) or operating lift.
- ⚠ WARNING** Inspect lift before operation. Do not operate lift if you suspect lift damage, wear or any abnormal condition.
- ⚠ WARNING** Do not use as a link bridge.

- ⚠ WARNING** Keep operator and bystanders clear of area in which the lift operates.
- ⚠ WARNING** Lift attendant must observe passenger at all times during lift operation.
- ⚠ WARNING** Ensure adequate lighting exists in the lift operating area.
- ⚠ WARNING** Whenever a wheelchair passenger (or standee) is on the platform, the:
  - Passenger must be positioned fully inside yellow boundaries facing outward.
  - Wheelchair brakes must be locked
  - Bridge plate and roll stop must be up (vertical)
  - Roll Stop latch must be fully engaged
  - Passenger should grip both handrails (if able).
- ⚠ WARNING** Wheelchair lift attendants should be instructed on any special needs and/or procedures required for safe transport of wheelchair passengers.
- ⚠ WARNING** Load and unload clear of vehicular traffic.
- ⚠ WARNING** Do not attempt to load or unload a passenger in a wheelchair or other apparatus that does not fit on the platform area.
- ⚠ WARNING** The lift attendant shall not ride on the platform with the passenger. The lift is intended for use by a single passenger.
- ⚠ WARNING** Do not overload or abuse. The load rating applies to both the raising and lowering functions.
- ⚠ WARNING** Use caution when operating this equipment out of doors during electrical storms or similar electrical phenomena.
- ⚠ WARNING** Use caution when operating this equipment in severe weather or environmental conditions (fog, rain, snow, ice, dust, etc.)
- ⚠ WARNING** Discontinue lift use immediately if any lift or vehicle interlock does not operate properly.
- ⚠ WARNING** Do not operate or board the lift if you or your lift operator are intoxicated.

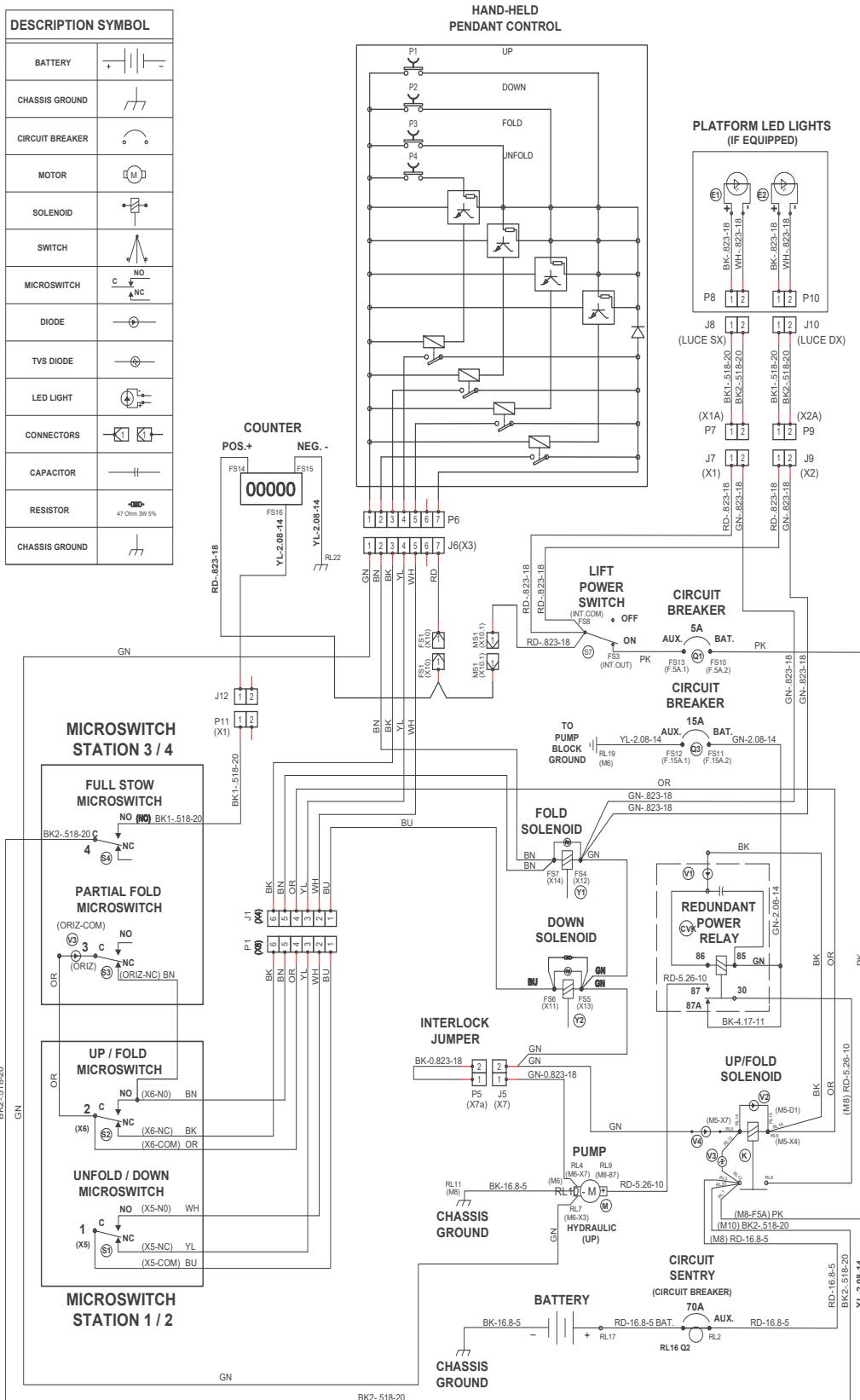
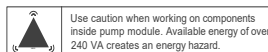
**Lift Operation Safety Precautions**

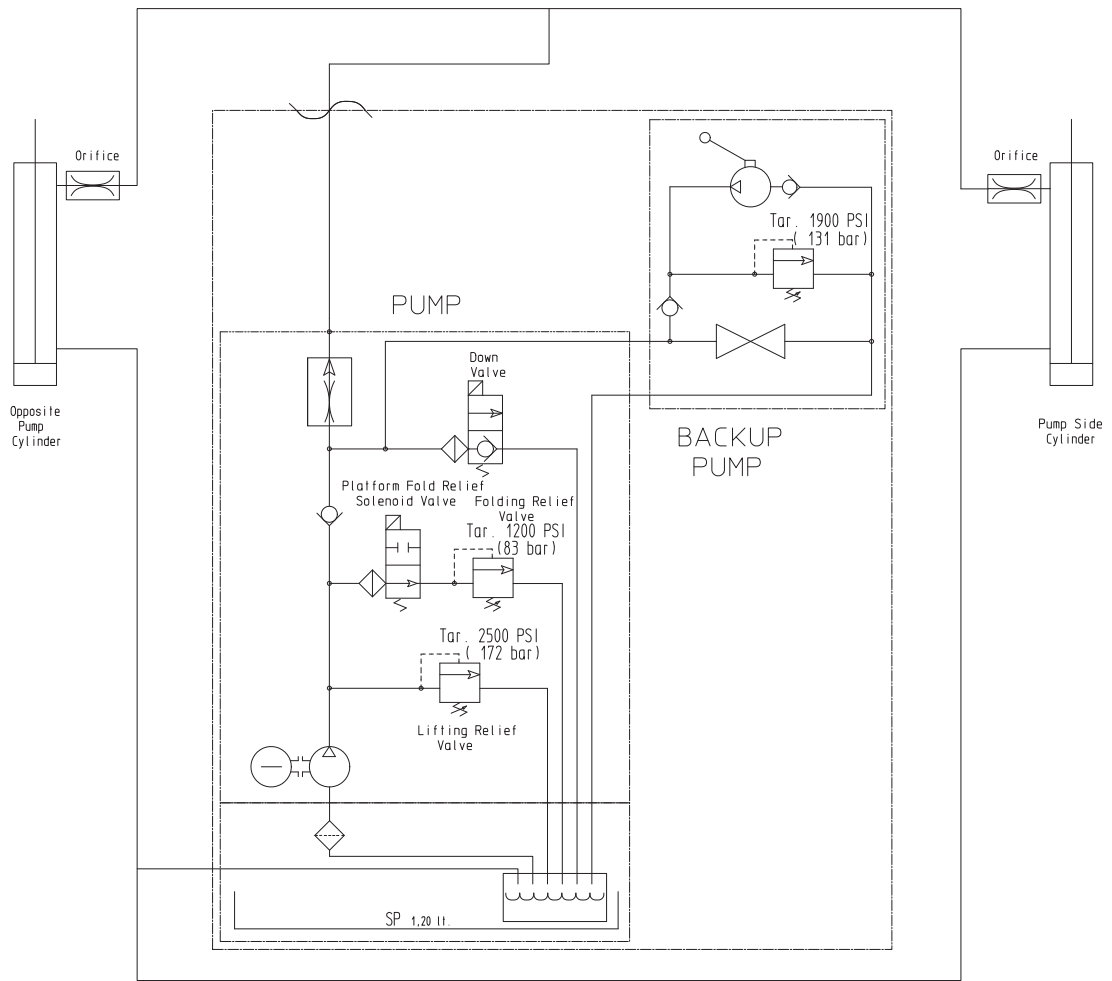
- ▲WARNING** Do not raise front wheelchair wheels (pull wheelie) when loading, boarding, or riding on the platform.
- ▲WARNING** Open lift door(s) fully and secure before operating lift.
- ▲WARNING** Position and secure (buckle, engage, fasten, etc.) the wheelchair-equipped occupant seat belt (torso restraint) before loading onto the wheelchair lift platform.
- ▲WARNING** Lift attendants must ensure that lift occupants keep hands, arms and all other body parts within the lift occupant area and clear of moving parts.
- ▲WARNING** Platform must be positioned at floor level (bridging position) when loading or unloading in and out of vehicle.
- ▲WARNING** Do not use platform bridge plate or roll stop as a brake. Stop and brake wheelchair when loading onto the platform (manually stop and brake manual wheelchairs — stop powered wheelchairs with the wheelchair controls).
- ▲WARNING** Turn powered (electric) wheelchairs off when on lift platform.
- ▲WARNING** Press the DOWN switch until the entire platform rests on ground level (lowered fully) and the roll stop is fully unfolded (ramp position) before loading or unloading a passenger at ground level.
- ▲WARNING** Roll stop must be fully unfolded (ramp position) until front and rear wheelchair wheels cross the barrier when loading or unloading at ground level.
- ▲WARNING** Accidental activation of control switch(es) may cause unintended operation(s).
- ▲WARNING** Contact your authorized BraunAbility dealership or technician to schedule routine maintenance and inspection of your lift.
- ▲WARNING** Replace missing, worn or illegible decals.
- ▲WARNING** Never modify (alter) a BraunAbility lift.
- ▲WARNING** Do not use accessory devices not authorized by BraunAbility.
- ▲WARNING** Do not remove any guards or covers.
- ▲WARNING** Keep clear of any hydraulic leak.
- ▲WARNING** Failure to follow these safety precautions may result in serious bodily injury and/or property damage.
- ▲WARNING** Any phase not carried out correctly can lead to damage to the component or dangerous situations for operators.
- ▲WARNING** It is recommended to employ personell specially appointed and suitable for use of the lifting machine and ensure that they are aware of these instructions.

This page intentionally left blank

**Notice:**

1. Shown with lift in stowed position.
2. Wire Identification Format: Wire Color - Size mm<sup>2</sup> - Size AWG
3. All wires .518 mm<sup>2</sup> (20 gauge) unless otherwise noted.

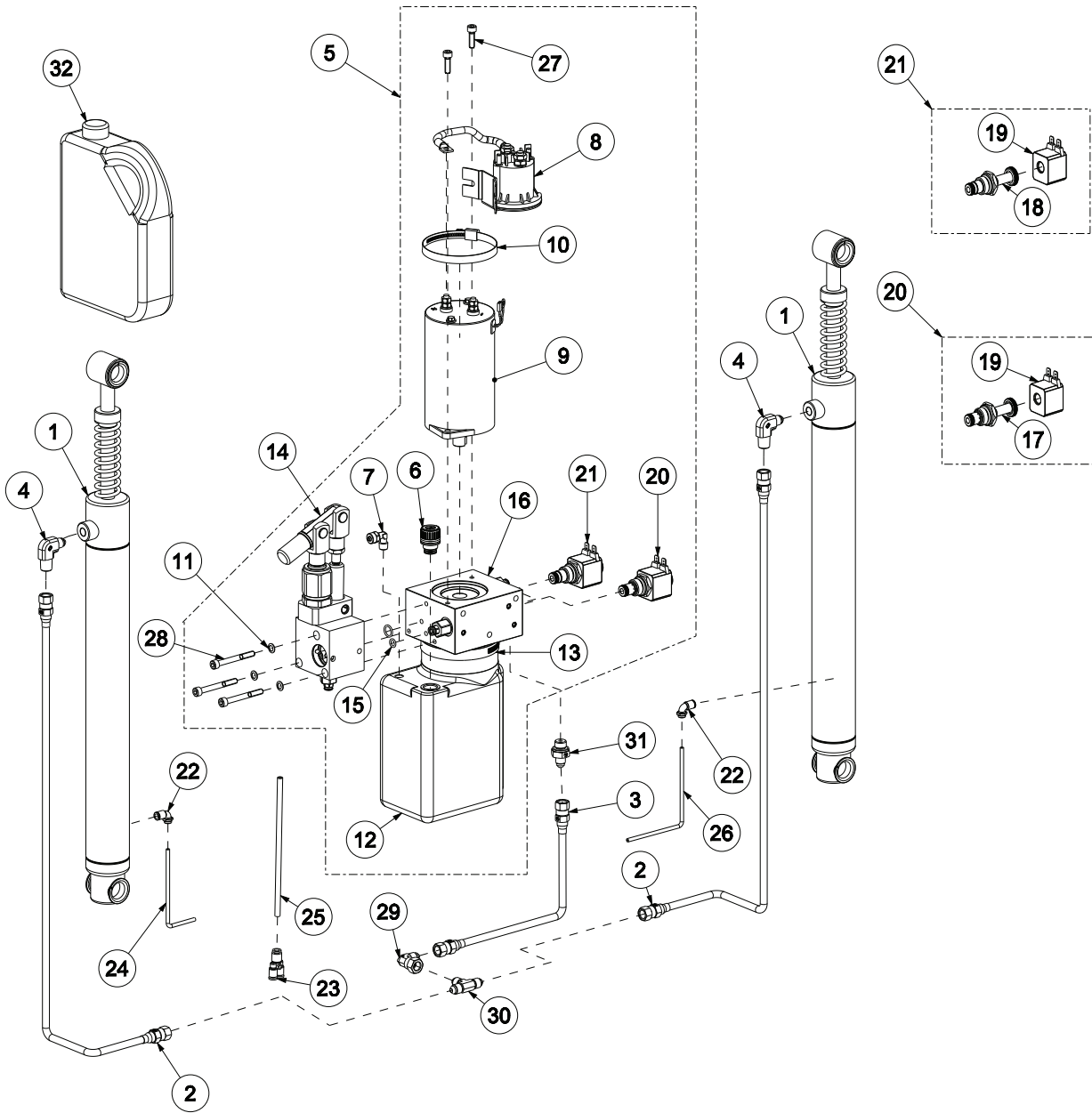




Description	Symbol	Description	Symbol
Fixed Displacement Pump		Hydraulic Port	
Pump Motor		2 Way 2 Position Solenoid Valve	
Backup Pump		Pressure Compensated Flow Control	
Single Acting Cylinder		Relief Valve	
Check Valve		Filter Screen	
Unfold Orifice		Vented Reservoir	
Manual Shutoff Valve			

**Applicable Lifts:**

- E1500F-LI Rev01
- E1500F-LO Rev01
- E1500F-RI Rev01
- E1500F-RO Rev01



### Ship out kits

Code	Description	Pos.
9000042	CYLINDER AND FITTING KIT (SINGLE)	1,4
9000043	VALVE ASSEMBLY, "FOLD" (Complete) KIT	20
9000044	VALVE ASSEMBLY, "DOWN" (Complete) KIT	21
9000045	TANK, HYDRAULIC FLUID KIT	12,13
9000046	HAND PUMP BLOCK KIT	11,14,15,28
9000047	TUBES AND FITTINGS - 1500 KIT	2,3,22,23,24,25,26,29,30,31
9000048	MOTOR, PUMP KIT	9,27
9000049	SOLENOID KIT	8
9000099	HYDRAULIC FLUID (2 Lt)	32

**Applicable Lifts:**  
**E1500F-LI Rev01**  
**E1500F-LO Rev01**  
**E1500F-RI Rev01**  
**E1500F-RO Rev01**

Item	Quantity	Code	Description
1	2	5000001	MAIN CYLINDER
2	2	5000007	HOSE 1/8 CYLINDER
3	1	5000008	HOSE 1/8 POWER UNIT
4	2	5000009	90° CYLINDER FITTING WITH RESTRICTION
5	1	5000010	COMPLETE HYDRAULIC CONTROL UNIT
6	1	5000027	SF CAP + filter TCSZF-3/8"
7	1	5000028	90° G1/8"M FITTING - 6/4 PIPE
8	1	5000029	SOLENOID
9	1	5000030	MOTOR, PUMP - 12 Volt
10	1	5000031	H9 CLAMP Ø80-100
11	3	5000032	SCHNORR M6 WASHER
12	1	5000033	TANK, HYDRAULIC FLUID
13	1	5000034	H12 CLAMP Ø90-107
14	1	5000035	HAND PUMP BLOCK WITH O-RING (5000036)
15	1	5000036	O-RING MANUAL PUMP
16	1	5000037	PUMP BODY
17	1	5000038	VE1-NO ELECTRIC VALVE Ø12.7 DC gA
18	1	5000039	ELECTRIC VALVE VE1-NC-F Ø12.7 DC gA
19	2	5000040	COIL 12Vdc-10W N-A10
20	1	5000041	VALVE ASSEMBLY, "FOLD" (Complete)
21	1	5000042	VALVE ASSEMBLY, "DOWN" (Complete)
22	2	5000064	ROTARY ELBOW MALE 04-M5
23	1	5000065	Y ADAPTER D 4-4-6
24	1	5000066	BLACK RILSAN PA 12 TUBE 4X2
25	1	5000067	BLACK RILSAN PA 12 TUBE 6X2
26	1	5000070	BLACK RILSAN PA 12 LONG TUBE 4X2
27	2	C317056	SCREW TCEI M6X20 UNI-5931 - 8.8 GALVANIZED
28	3	C317063	SCREW TCEI M6X55 UNI-5931 - 8.8 GALVANIZED
29	1	C800001	90° FITTING
30	1	C800002	T. FITTING
31	1	C800003	STRAIGHT FITTING POWER UNIT
32	1	C80004	OIL TEXACO TX RANDO HDZ15 (1,3 Lt)



Use caution when working on components inside pump module. Available energy of over 240 VA creates an energy hazard.

**NOTICE**

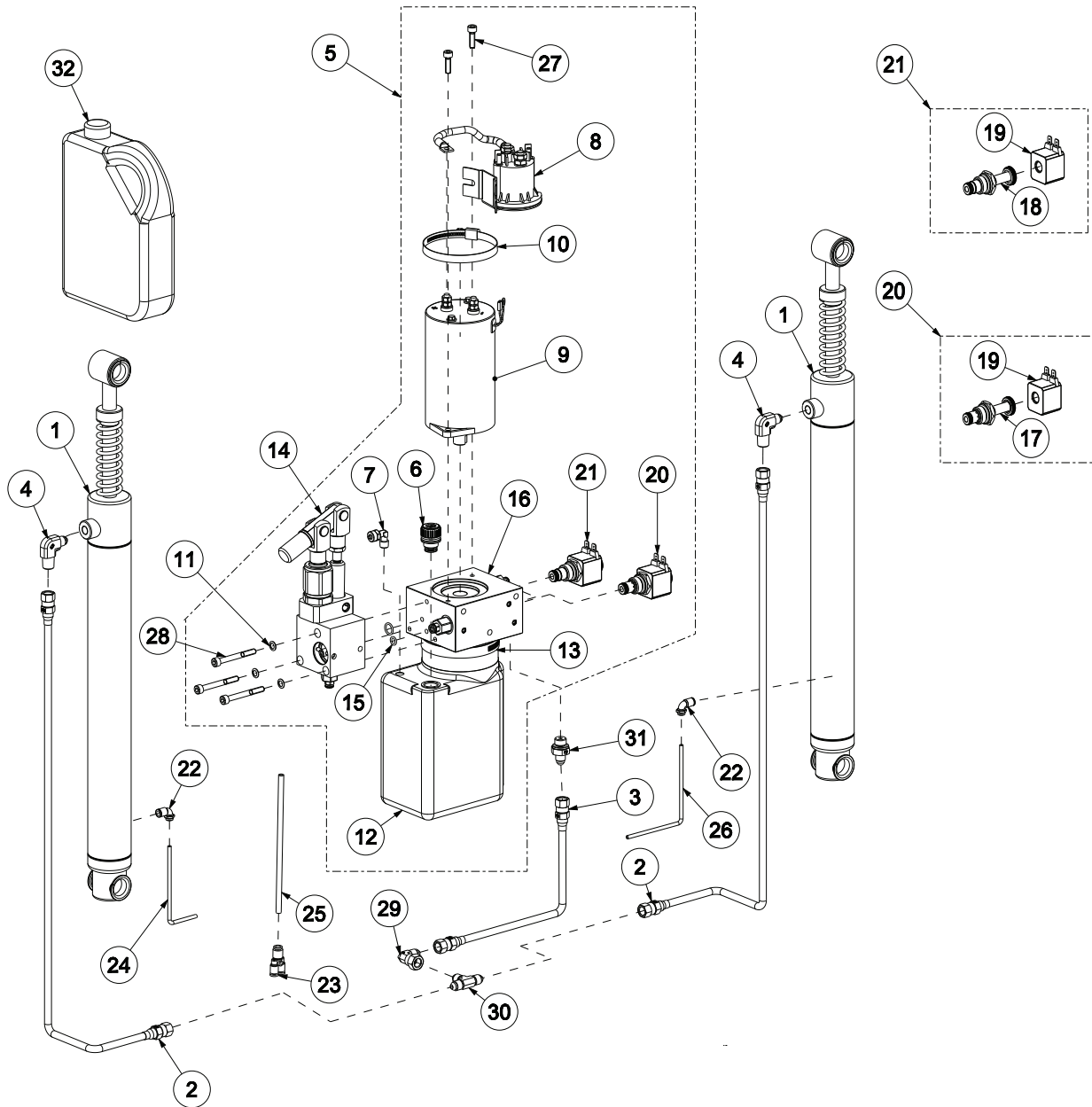
Apply Scotch-Weld™ Thread-locker Red TL71 (BraunAbility #11522-1) or equivalent to the three button head screws (item 6) when retrofitting pump assembly.

**NOTICE**

Remove power from pump module and any spark source before working with hydraulic fluid and components. Wear proper eye protection. Use protective gloves for prolonged contact with hydraulic fluid.

**Applicable Lifts:**

- E1300F-LI Rev01
- E1300F-LO Rev01
- E1300F-RI Rev01
- E1300F-RO Rev01



Ship out kits		
Code	Description	Pos.
9000042	CYLINDER AND FITTING KIT (SINGLE)	1,4
9000043	VALVE ASSEMBLY, "FOLD" (Complete) KIT	20
9000044	VALVE ASSEMBLY, "DOWN" (Complete) KIT	21
9000045	TANK, HYDRAULIC FLUID KIT	12,13
9000046	HAND PUMP BLOCK KIT	11,14,15,28
9000048	MOTOR, PUMP KIT	9,27
9000049	SOLENOID KIT	8
9000050	TUBES AND FITTINGS - 1300 KIT	2,3,22,23,24,25,26,29,30,31
9000099	HYDRAULIC FLUID (2 Lt)	32

**Applicable Lifts:**

**E1300F-LI Rev01**  
**E1300F-LO Rev01**  
**E1300F-RI Rev01**  
**E1300F-RO Rev01**

Item	Quantity	Code	Description
1	2	5000001	MAIN CYLINDER
2	2	5000046	HOSE 1/8 CYLINDER
3	1	5000047	HOSE 1/8 POWER UNIT
4	2	5000009	90° CYLINDER FITTING WITH RESTRICTION
5	1	5000010	COMPLETE HYDRAULIC CONTROL UNIT
6	1	5000027	SF CAP + filter TCSZF-3/8"
7	1	5000028	90° G1/8"M FITTING - 6/4 PIPE
8	1	5000029	SOLENOID
9	1	5000030	MOTOR, PUMP - 12 Volt
10	1	5000031	H9 CLAMP Ø80-100
11	3	5000032	SCHNORR M6 WASHER
12	1	5000033	TANK, HYDRAULIC FLUID
13	1	5000034	H12 CLAMP Ø90-107
14	1	5000035	HAND PUMP BLOCK WITH O-RING (5000036)
15	1	5000036	O-RING MANUAL PUMP
16	1	5000037	PUMP BODY
17	1	5000038	VE1-NO ELECTRIC VALVE Ø12.7 DC gA
18	1	5000039	ELECTRIC VALVE VE1-NC-F Ø12.7 DC gA
19	2	5000040	COIL 12Vdc-10W N-A10
20	1	5000041	VALVE ASSEMBLY, "FOLD" (Complete)
21	1	5000042	VALVE ASSEMBLY, "DOWN" (Complete)
22	2	5000064	ROTARY ELBOW MALE 04-M5
23	1	5000065	Y ADAPTER D 4-4-6
24	1	5000066	BLACK RILSAN PA 12 TUBE 4X2
25	1	5000067	BLACK RILSAN PA 12 TUBE 6X2
26	1	5000070	BLACK RILSAN PA 12 LONG TUBE 4X2
27	2	C317056	SCREW TCEI M6X20 UNI-5931 - 8.8 GALVANIZED
28	3	C317063	SCREW TCEI M6X55 UNI-5931 - 8.8 GALVANIZED
29	1	C800001	90° FITTING
30	1	C800002	T. FITTING
31	1	C800003	STRAIGHT FITTING POWER UNIT
32	1	C80004	OIL TEXACO TX RANDO HDZ15 (1,3 Lt)



Use caution when working on components inside pump module. Available energy of over 240 VA creates an energy hazard.

**NOTICE**

Apply Scotch-Weld™ Thread-locker Red TL71 (BraunAbility #11522-1) or equivalent to the three button head screws (item 6) when retrofitting pump assembly.

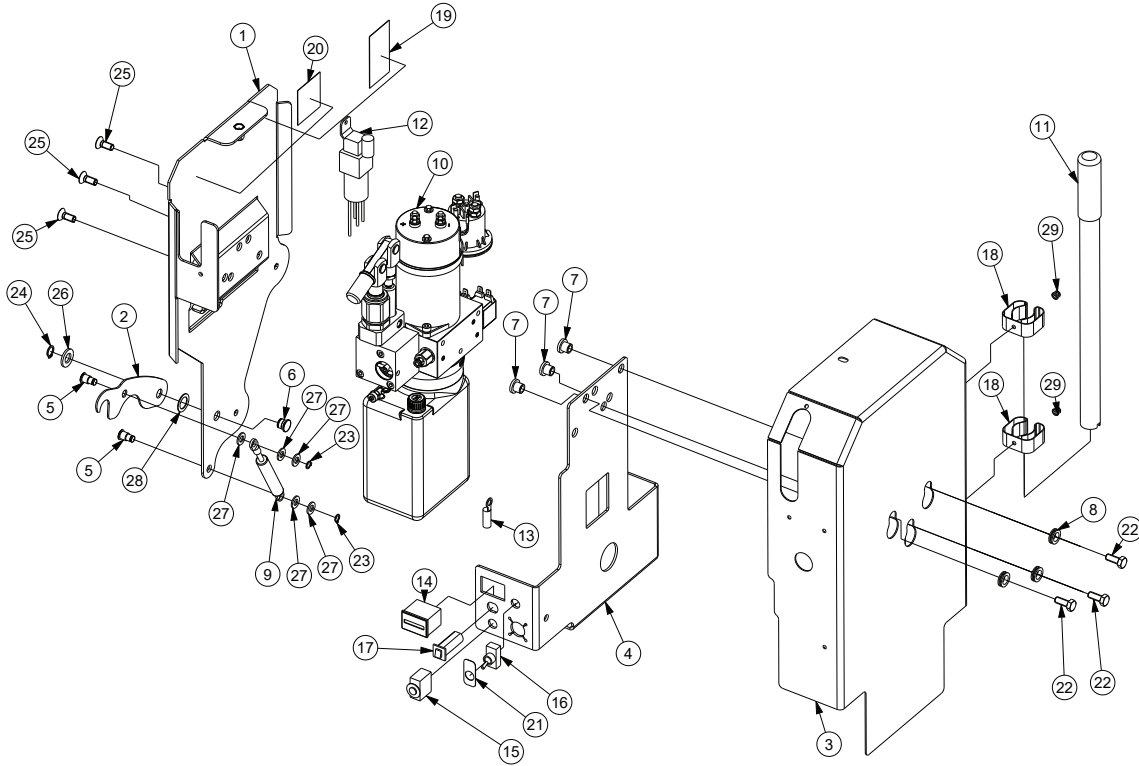
**NOTICE**

Remove power from pump module and any spark source before working with hydraulic fluid and components. Wear proper eye protection. Use protective gloves for prolonged contact with hydraulic fluid.

# Right Pump Module

External side mounting

**Applicable Lifts:**  
**E1300F-RO Rev01**  
**E1500F-RO Rev01**



Ship out kits		
Code	Description	Pos.
9000003	SAFETY HOOK KIT - RIGHT OR LEFT	2,5,6,9,23,24,26,27,28
9000040	KIT GAS DAMPER	9
9000057	RIGHT PUMP OUTER BRACKET KIT	4,7,8,22
9000058	HYDRAULIC UNIT KIT	10,25
9000059	RIGHT PUMP INNER BRACKET KIT	1
9000060	MAIN WIRING KIT	12
9000061	HYDRAULIC UNIT CASING KIT	3,18,29
9000063	CYCLE COUNTER KIT + HARNESS - OPTIONAL	14,30
9000064	ON/OFF SWITCH KIT	16,21
9000065	CIRCUIT BREAKER, 5 A KIT	15
9000066	CIRCUIT BREAKER, 15 A KIT	17
9000067	GROUND CABLE KIT	13
9000068	MANUAL PUMP LEVER KIT	11

## Parts List

**Applicable Lifts:**  
**E1300F-RO Rev01**  
**E1500F-RO Rev01**

Item	Quantity	Code	Description
1	1	2000010	INNER BRACKET FOR RIGHT PUMP
2	1	3000048	SAFETY HOOK
3	1	3000049	RIGHT PUMP REMOVABLE CASING
4	1	3000056	RIGHT HARNESS SUPPORT SHEET
5	2	4000025	SAFETY LATCH PIN LOWER
6	1	4000026	SAFETY LATCH PIN UPPER
7	3	4000037	SPACER
8	3	4000041	COVER MOUNTING SPACER
9	1	5000002	GAS DAMPER - 9000000309036 - TKS-R32-Z30
10	1	5000010	COMPLETE 12V HYDRAULIC UNIT
11	1	5000011	MANUAL PUMP LEVER
12	1	5000013	COMPLETE LIFT WIRING
13	1	5000014	GROUND CABLE
14	1	5000021	CYCLE COUNTER
15	1	5000022	CIRCUIT BREAKER, 5 A
16	1	5000023	ON-OFF SWITCH
17	1	5000025	CIRCUIT BREAKER, 15 A
18	2	5000026	MANUAL PUMP LEVER CLAMPS
19	1	6000003	WIRING LABEL 32201
20	1	6000005	WARNING LABEL 37589
21	1	6000009	ON/OFF DECAL
22	3	C307331	TE SCREW M8X20 UNI EN-24017 - 8.8 GALVANIZED
23	2	C350305	SNAP.X RING ALB.D 8 - UNI 7435
24	1	C350309	SNAP.X RING ALB.D12-UNI 7435
25	3	C366055	SCREW TSPEI M8X20 UNI-5933 GALVANIZED
26	2	C390008	FLAT WASHER D12 UNI 6592 GALVANIZED
27	5	C393006	FLAT WASHER D8 UNI 6592 STAINLESS STEEL
28	1	C397001	WAVY WASHER D12 DIN-137 TYPE "B"
29	2	C430002	FFT STEEL/STEEL RIVET TT 4.8X8
30	1	CAB0101	CABLING FOR CYCLE COUNTER



Use caution when working on components inside pump module. Available energy of over 240 VA creates an energy hazard.

### NOTICE

Apply Scotch-Weld™ Thread-locker Red TL71 (BraunAbility #11522-1) or equivalent to the three button head screws (item 6) when retrofitting pump assembly.

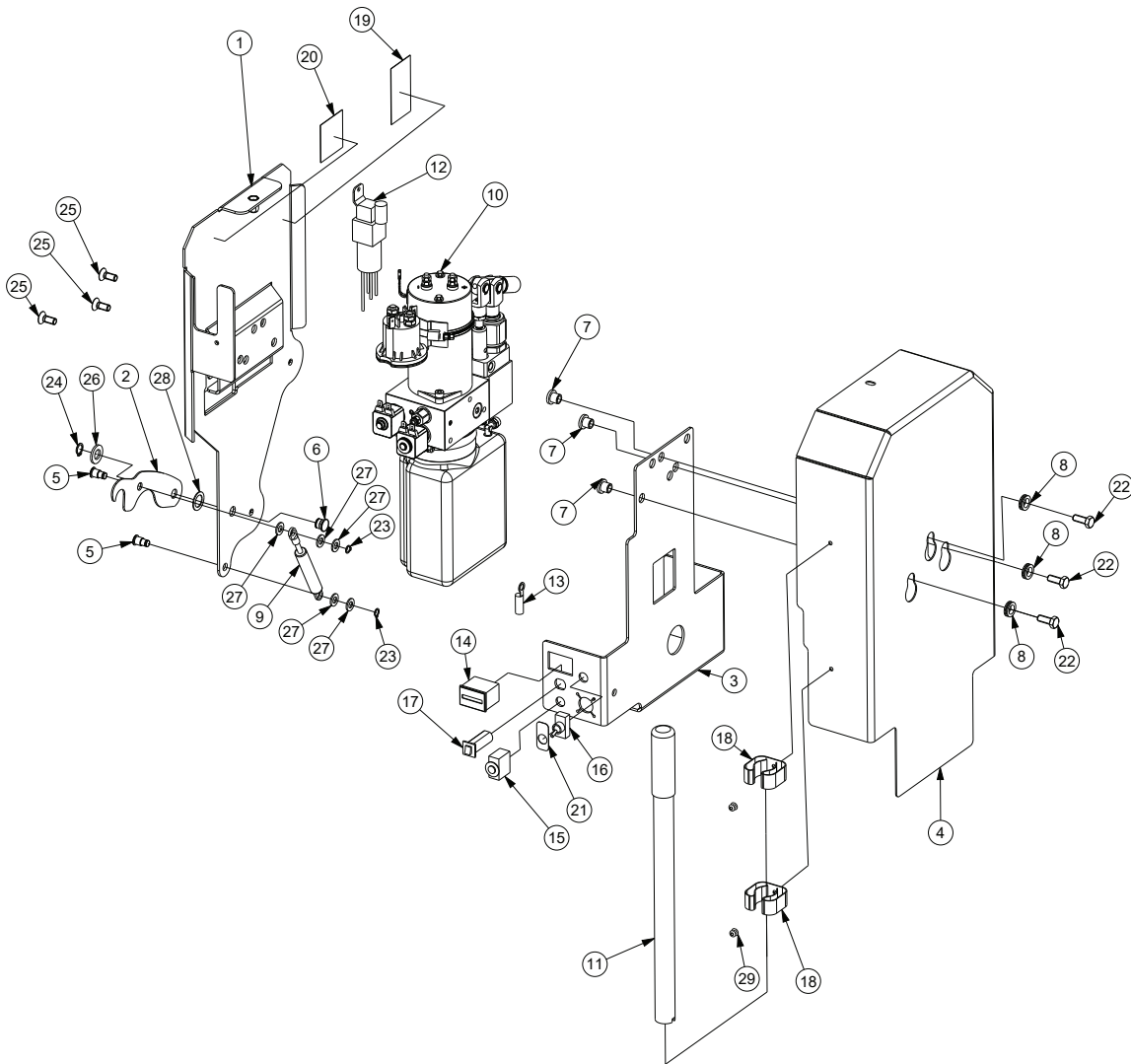
### NOTICE

Remove power from pump module and any spark source before working with hydraulic fluid and components. Wear proper eye protection. Use protective gloves for prolonged contact with hydraulic fluid.

# Right Pump Module

Internal side mounting

**Applicable Lifts:**  
**E1300F-RI Rev01**  
**E1500F-RI Rev01**



Ship out kits		
Code	Description	Pos.
9000003	SAFETY HOOK KIT - RIGHT OR LEFT	2,5,6,9,23,24,26,27,28
9000040	KIT GAS DAMPER	9
9000057	RIGHT PUMP OUTER BRACKET KIT	3,7,8,22
9000058	HYDRAULIC UNIT KIT	10,25
9000059	RIGHT PUMP INNER BRACKET KIT	1
9000060	MAIN WIRING KIT	12
9000063	CYCLE COUNTER KIT + HARNESS - OPTIONAL	14,30
9000064	ON/OFF SWITCH KIT	16,21
9000065	CIRCUIT BREAKER, 5 A KIT	15
9000066	CIRCUIT BREAKER, 15 A KIT	17
9000067	GROUND CABLE KIT	13
9000068	MANUAL PUMP LEVER KIT	11
9000069	HYDRAULIC UNIT CASING KIT	4,18,29

## Parts List

**Applicable Lifts:**  
**E1300F-RI Rev01**  
**E1500F-RI Rev01**

Item	Quantity	Code	Description
1	1	2000010	INNER BRACKET FOR RIGHT PUMP
2	1	3000048	SAFETY HOOK
3	1	3000056	RIGHT HARNESS SUPPORT SHEET
4	1	3000058	LEFT PUMP CASING
5	2	4000025	SAFETY LATCH PIN LOWER
6	1	4000026	SAFETY LATCH PIN UPPER
7	3	4000037	SPACER
8	3	4000041	COVER MOUNTING SPACER
9	1	5000002	GAS DAMPER - 9000000309036 - TKS-R32-Z30
10	1	5000010	COMPLETE 12V HYDRAULIC UNIT
11	1	5000011	MANUAL PUMP LEVER
12	1	5000013	COMPLETE LIFT WIRING
13	1	5000014	GROUND CABLE
14	1	5000021	CYCLE COUNTER
15	1	5000022	CIRCUIT BREAKER, 5 A
16	1	5000023	ON-OFF SWITCH
17	1	5000025	CIRCUIT BREAKER, 15 A
18	2	5000026	MANUAL PUMP LEVER CLAMPS
19	1	6000003	WIRING LABEL 32201
20	1	6000005	WARNING LABEL 37589
21	1	6000009	ON/OFF DECAL
22	3	C307331	TE SCREW M8X20 UNI EN-24017 - 8.8 GALVANIZED
23	2	C350305	SNAP.X RING ALB.D 8 - UNI 7435
24	1	C350309	SNAP.X RING ALB.D12-UNI 7435
25	3	C366055	SCREW TSPEI M8X20 UNI-5933 GALVANIZED
26	1	C390008	FLAT WASHER D12 UNI 6592 GALVANIZED
27	5	C393006	FLAT WASHER D8 UNI 6592 STAINLESS STEEL
28	1	C397001	WAVY WASHER D12 DIN-137 TYPE "B"
29	2	C430002	FFT STEEL/STEEL RIVET TT 4.8X8
30	1	CAB0101	CABLING FOR CYCLE COUNTER



Use caution when working on components inside pump module. Available energy of over 240 VA creates an energy hazard.

### NOTICE

Apply Scotch-Weld™ Thread-locker Red TL71 (BraunAbility #11522-1) or equivalent to the three button head screws (item 6) when retrofitting pump assembly.

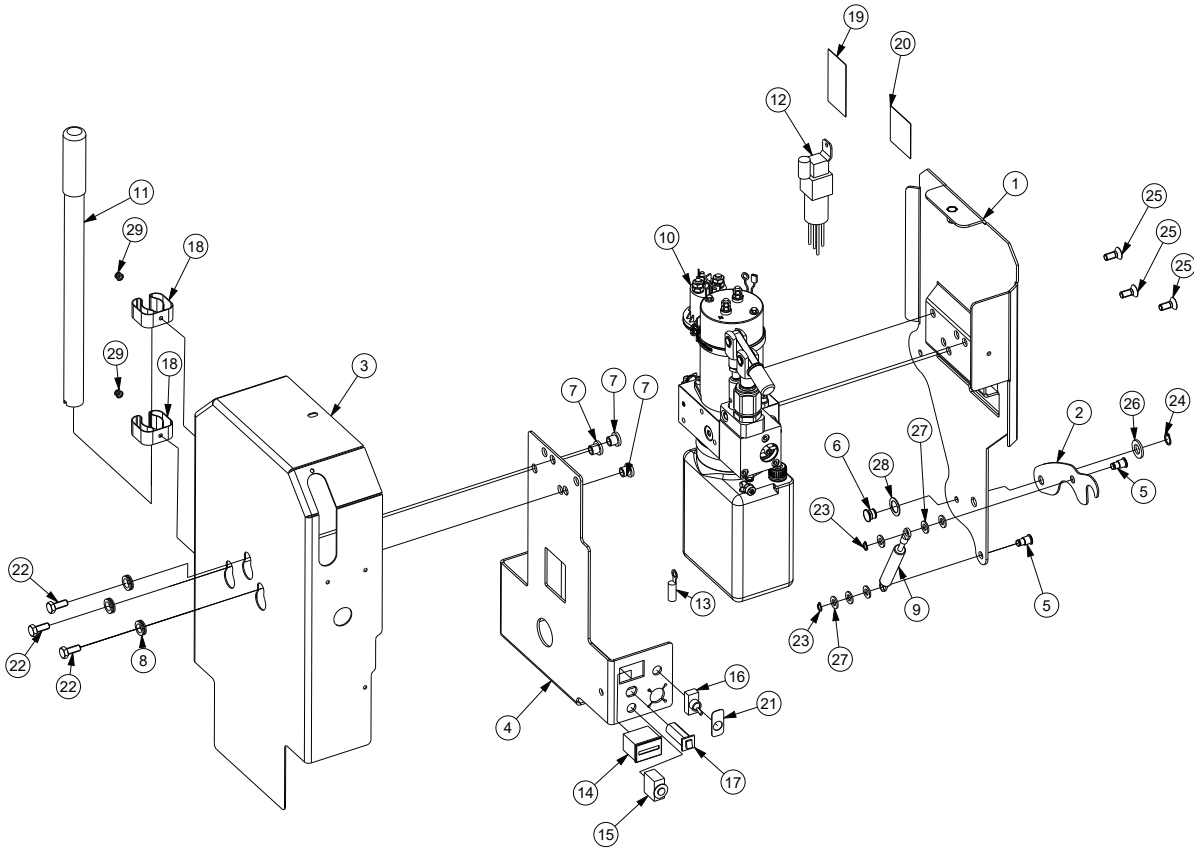
### NOTICE

Remove power from pump module and any spark source before working with hydraulic fluid and components. Wear proper eye protection. Use protective gloves for prolonged contact with hydraulic fluid.

# Left Pump Module

External side mounting

**Applicable Lifts:**  
**E1300F-LI Rev01**  
**E1500F-LI Rev01**



Ship out kits		
Code	Description	Pos.
9000003	SAFETY HOOK KIT - RIGHT OR LEFT	2,5,6,9,23,24,26,27,28
9000040	KIT GAS DAMPER	9
9000058	HYDRAULIC UNIT KIT	10,25
9000060	MAIN WIRING KIT	12
9000063	CYCLE COUNTER KIT + HARNESS - OPTIONAL	14,30
9000064	ON/OFF SWITCH KIT	16,21
9000065	CIRCUIT BREAKER, 5 A KIT	15
9000066	CIRCUIT BREAKER, 15 A KIT	17
9000067	GROUND CABLE KIT	13
9000068	MANUAL PUMP LEVER KIT	11
9000069	HYDRAULIC UNIT CASING KIT	3,18,29
9000070	LEFT PUMP INNER BRACKET KIT	1
9000071	LEFT PUMP OUTER BRACKET KIT	4,7,8,22

## Parts List

**Applicable Lifts:**  
**E1300F-LI Rev01**  
**E1500F-LI Rev01**

Item	Quantity	Code	Description
1	1	2000017	INNER BRACKER FOR LEFT PUMP
2	1	3000048	SAFETY HOOK
3	1	3000058	LEFT PUMP CASING
4	1	3000059	LEFT HARNESS SUPPORT SHEET
5	2	4000025	SAFETY LATCH PIN LOWER
6	1	4000026	SAFETY LATCH PIN UPPER
7	3	4000037	SPACER
8	3	4000041	COVER MOUNTING SPACER
9	1	5000002	GAS DAMPER - 9000000309036 - TKS-R32-Z30
10	1	5000010	COMPLETE 12V HYDRAULIC UNIT
11	1	5000011	MANUAL PUMP LEVER
12	1	5000013	COMPLETE LIFT WIRING
13	1	5000014	GROUND CABLE
14	1	5000021	CYCLE COUNTER
15	1	5000022	CIRCUIT BREAKER, 5 A
16	1	5000023	ON-OFF SWITCH
17	1	5000025	CIRCUIT BREAKER, 15 A
18	2	5000026	MANUAL PUMP LEVER CLAMPS
19	1	6000003	WIRING LABEL 32201
20	1	6000005	WARNING LABEL 37589
21	1	6000009	ON/OFF DECAL
22	3	C307331	TE SCREW M8X20 UNI EN-24017 - 8.8 GALVANIZED
23	2	C350305	SNAP.X RING ALB.D 8 - UNI 7435
24	1	C350309	SNAP.X RING ALB.D12-UNI 7435
25	3	C366055	SCREW TSPEI M8X20 UNI-5933 GALVANIZED
26	2	C390008	FLAT WASHER D12 UNI 6592 GALVANIZED
27	6	C393006	FLAT WASHER D8 UNI 6592 STAINLESS STEEL
28	1	C397001	WAVY WASHER D12 DIN-137 TYPE "B"
29	2	C430002	FFT STEEL/STEEL RIVET TT 4.8X8
30	1	CAB0101	CABLING FOR CYCLE COUNTER



Use caution when working on components inside pump module. Available energy of over 240 VA creates an energy hazard.

### NOTICE

Apply Scotch-Weld™ Thread-locker Red TL71 (BraunAbility #11522-1) or equivalent to the three button head screws (item 6) when retrofitting pump assembly.

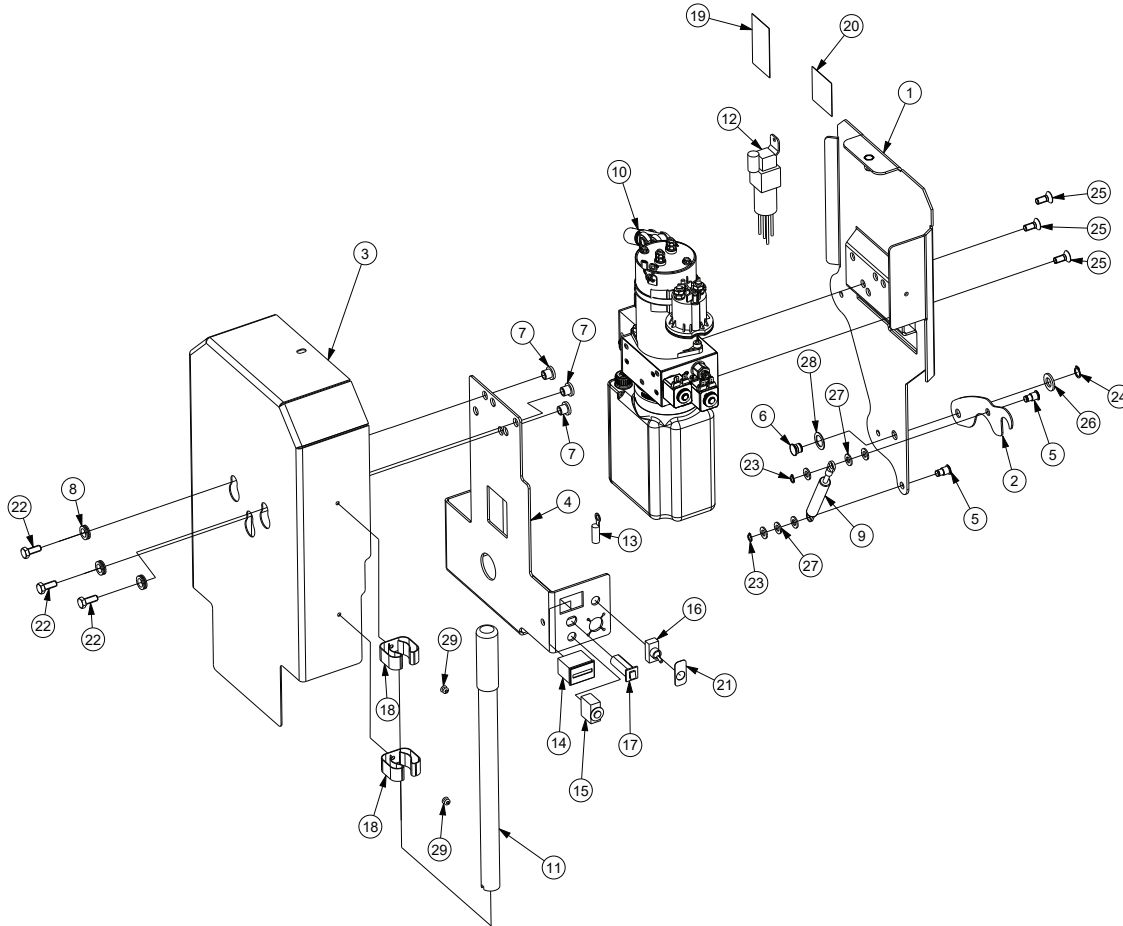
### NOTICE

Remove power from pump module and any spark source before working with hydraulic fluid and components. Wear proper eye protection. Use protective gloves for prolonged contact with hydraulic fluid.

# Left Pump Module

Internal side mounting

**Applicable Lifts:**  
**E1300F-LO Rev01**  
**E1500F-LO Rev01**



Ship out kits		
Code	Description	Pos.
9000003	SAFETY HOOK KIT - RIGHT OR LEFT	2,5,6,9,23,24,26,27,28
9000040	KIT GAS DAMPER	9
9000058	HYDRAULIC UNIT KIT	10,25
9000060	MAIN WIRING KIT	12
9000061	HYDRAULIC UNIT CASING KIT	3,18,29
9000063	CYCLE COUNTER KIT + HARNESS - OPTIONAL	14,30
9000064	ON/OFF SWITCH KIT	16,21
9000065	CIRCUIT BREAKER, 5 A KIT	15
9000066	CIRCUIT BREAKER, 15 A KIT	17
9000067	GROUND CABLE KIT	13
9000068	MANUAL PUMP LEVER KIT	11
9000070	LEFT PUMP INNER BRACKET KIT	1
9000071	LEFT PUMP OUTER BRACKET KIT	4,7,8,22

## Parts List

**Applicable Lifts:**  
**E1300F-LO Rev01**  
**E1500F-LO Rev01**

Item	Quantity	Code	Description
1	1	2000017	INNER BRACKER FOR LEFT PUMP
2	1	3000048	SAFETY HOOK
3	1	3000049	RIGHT PUMP REMOVABLE CASING
4	1	3000059	LEFT HARNESS SUPPORT SHEET
5	2	4000025	SAFETY LATCH PIN LOWER
6	1	4000026	SAFETY LATCH PIN UPPER
7	3	4000037	SPACER
8	3	4000041	COVER MOUNTING SPACER
9	1	5000002	GAS DAMPER - 9000000309036 - TKS-R32-Z30
10	1	5000010	COMPLETE 12V HYDRAULIC UNIT
11	1	5000011	MANUAL PUMP LEVER
12	1	5000013	COMPLETE LIFT WIRING
13	1	5000014	GROUND CABLE
14	1	5000021	CYCLE COUNTER
15	1	5000022	CIRCUIT BREAKER, 5 A
16	1	5000023	ON-OFF SWITCH
17	1	5000025	CIRCUIT BREAKER, 15 A
18	2	5000026	MANUAL PUMP LEVER CLAMPS
19	1	6000003	WIRING LABEL 32201
20	1	6000005	WARNING LABEL 37589
21	1	6000009	ON/OFF DECAL
22	3	C307331	TE SCREW M8X20 UNI EN-24017 - 8.8 GALVANIZED
23	2	C350305	SNAP.X RING ALB.D 8 - UNI 7435
24	1	C350309	SNAP.X RING ALB.D12-UNI 7435
25	3	C366055	SCREW TSPEI M8X20 UNI-5933 GALVANIZED
26	2	C390008	FLAT WASHER D12 UNI 6592 GALVANIZED
27	6	C393006	FLAT WASHER D8 UNI 6592 STAINLESS STEEL
28	1	C397001	WAVY WASHER D12 DIN-137 TYPE "B"
29	2	C430002	FFT STEEL/STEEL RIVET TT 4.8X8
30	1	CAB0101	CABLING FOR CYCLE COUNTER



Use caution when working on components inside pump module. Available energy of over 240 VA creates an energy hazard.

### NOTICE

Apply Scotch-Weld™ Thread-locker Red TL71 (BraunAbility #11522-1) or equivalent to the three button head screws (item 6) when retrofitting pump assembly.

### NOTICE

Remove power from pump module and any spark source before working with hydraulic fluid and components. Wear proper eye protection. Use protective gloves for prolonged contact with hydraulic fluid.




## Parts List

### Applicable Lifts:

**E1500F-LI Rev01**  
**E1500F-LO Rev01**  
**E1500F-RI Rev01**  
**E1500F-RO Rev01**

### NOTICE

 - APPLY SCOTCH-WELD™ THREADLOCKER RED TL71 (BRAUNABILITY #11522-1) OR EQUIVALENT TO THREADS ON ALL SCREWS #25527 AND TORQUE TO 25.4 Nm (225 in lb).

 - APPLY LUBRIPLATE™ (BRAUNABILITY #305597) TO BASEPLATE AND LIFT-TITE LATCH PINS AS MARKED.

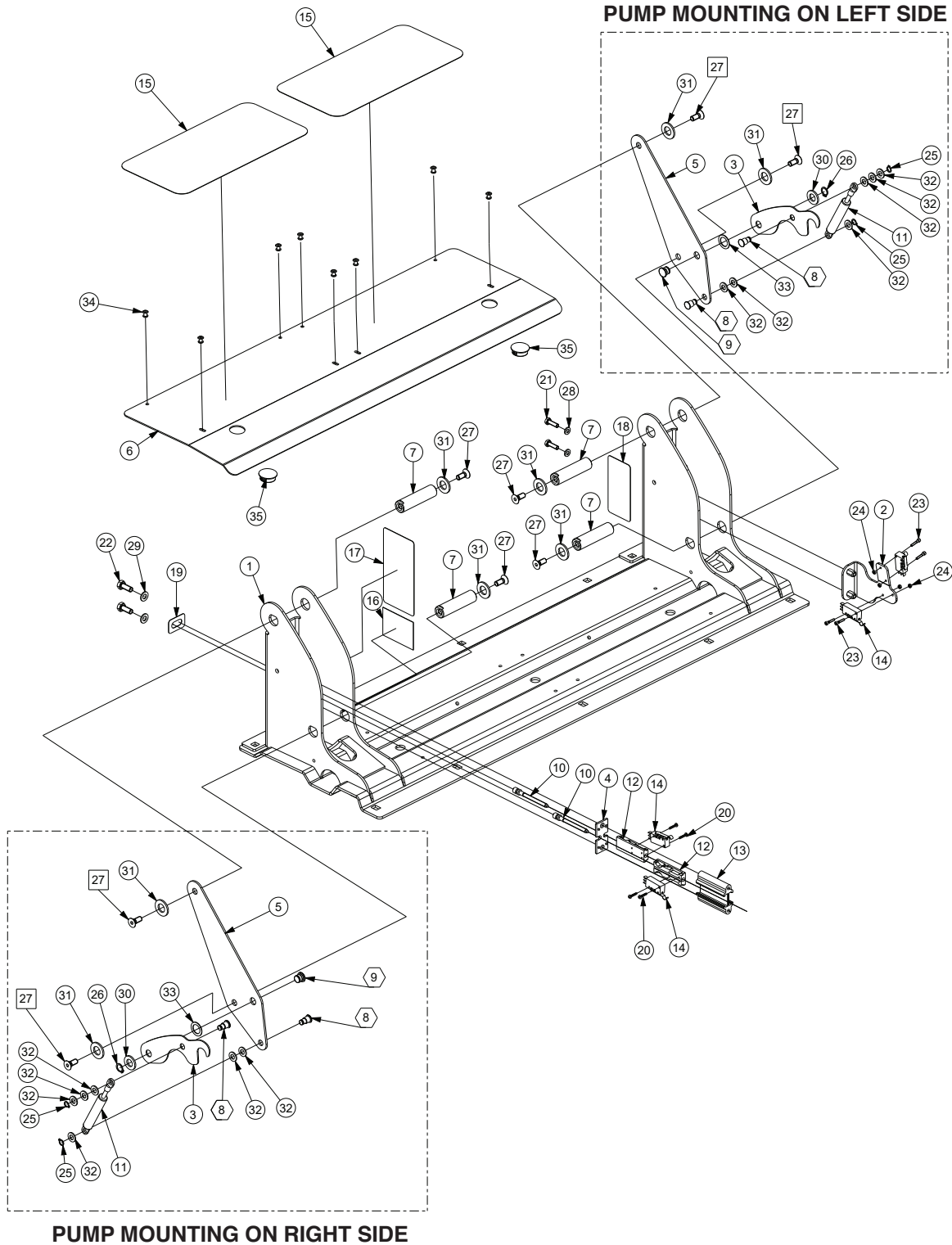
Item	Quantity	Code	Description
1	1	2000001	WELDED BASE
2	1	3000005	BASE COVERAGE
3	1	3000006	MICRO SWITCH SUPPORT
4	1	3000048	SAFETY HOOK
5	1	3000050	MICRO PROFILE FIXING
6	1	3000054	EXT. FOOTBOARD GUIDE PLATE
7	4	4000001	ARM ROTATION PIN
8	2	4000025	SAFETY LATCH PIN
9	1	4000026	SAFETY LATCH FOCUS
10	2	4000027	MICRO SWITCH ADJUSTMENT SCREW
11	1	5000002	GAS DAMPER - 9000000309036 - TKS-R32-Z30
12	2	5000005	MICRO SWITCH ADJUSTABLE SLIDES
13	1	5000006	MICRO SWITCH GUIDE PROFILE
14	4	5000024	OMRON MICRO SWITCH - OND2VW-5L3-1
15	2	6000001	NON-SLIP ADHESIVE 300X150
16	1	6000002	WIRING LABEL 402352
17	1	6000006	HAND PUMP LABEL 402527
18	1	6000007	LABEL MADE IN 402347
19	1	6000008	LABEL TOWER 32942
20	4	C307045	SELF-TAPPING SCREW 2.9X16
21	2	C307329	TE SCREW M6X20 UNI EN-24017 - 8.8 GALVANIZED
22	2	C307331	TE SCREW M8X20 UNI EN-24017 - 8.8 GALVANIZED
23	4	C317003	SCREW TCEI M3X16 UNI-5931 - 8.8 GALVANIZED
24	4	C330001	MEDIUM NUT M3 UNI 5588 GALVANIZED
25	2	C350305	SNAP.X RING ALB.D 8 - UNI 7435
26	1	C350309	SNAP.X RING ALB.D 12 - UNI 7435
27	4	C366055	SCREW TSPEI M8X20 UNI-5933 GALVANIZED
28	2	C390004	FLAT WASHER D6 UNI 6592 GALVANIZED
29	2	C390006	FLAT WASHER D8 UNI 6592 GALVANIZED
30	2	C390008	FLAT WASHER D12 UNI 6592 GALVANIZED
31	4	C390009	FLAT WASHER D14 UNI 6592 GALVANIZED
32	5	C393006	FLAT WASHER D18 UNI 6592 STAINLESS STEEL
33	2	C397001	WAVY WASHER D12 DIN-137 TYPE "B"
34	8	C430001	FFT-Rivet steel/steel TT 4.8x12.0
35	2	C600010	LAM CAP. BASE 17638AA01 BLACK

**Part List****Applicable Lifts:****E1500F-LI Rev01****E1500F-LO Rev01****E1500F-RI Rev01****E1500F-RO Rev01**

<b>Ship out kits</b>		
<b>Code</b>	<b>Description</b>	<b>Pos.</b>
9000003	SAFETY HOOK KIT - RIGHT OR LEFT	4,8,9,11,25,26,30,32,33
9000004	SWITCH KIT - LEFT	5,10,12,13,14,19,20,22,29
9000005	SWITCH KIT - RIGHT	3,14,21,23,24,28
9000006	BASE COVER KIT - 860 mm	2,15,34,35
9000007	WELDED BASE KIT AND LABELS - 860 mm	1,16,17,18
9000040	KIT GAS DAMPER	11

## Exploded view

**Applicable Lifts:**  
E1300F-LI Rev01  
E1300F-LO Rev01  
E1300F-RI Rev01  
E1300F-RO Rev01



## Part List

## Applicable Lifts:

E1300F-LI Rev01

E1300F-LO Rev01

E1300F-RI Rev01

E1300F-RO Rev01

## NOTICE

□ - APPLY SCOTCH-WELD™ THREADLOCKER RED TL71 (BRAUNABILITY #11522-1) OR EQUIVALENT TO THREADS ON ALL SCREWS #25527 AND TORQUE TO 25.4 Nm (225 in lb).

⬡ - APPLY LUBRIPLATE™ (BRAUNABILITY #305597) TO BASEPLATE AND LIFT-TITE LATCH PINS AS MARKED.

Item	Quantity	Code	Description
1	1	2000018	WELDED BASE
2	1	3000006	MICRO SUPPORT
3	1	3000048	SAFETY HOOK
4	1	3000050	MICRO PROFILE FIXING
5	1	3000054	EXT. FOOTBOARD GUIDE PLATE
6	1	3000061	BASE COVERAGE
7	4	4000001	ARM ROTATION PIN
8	2	4000025	SAFETY LATCH PIN
9	1	4000026	SAFETY LATCH FOCUS
10	2	4000027	MICRO ADJUSTMENT SCREW
11	1	5000002	GAS DUMPER - 9000000309036 - TKS-R32-Z30
12	2	5000005	MICRO ADJUSTABLE SLIDES
13	1	5000006	MICRO GUIDE PROFILE
14	4	5000024	OMRON MICRO - OND2VW-5L3-1
15	2	6000001	NON-SLIP ADHESIVE 300X150
16	1	6000002	WIRING LABEL 402352
17	1	6000006	HAND PUMP LABEL 402527
18	1	6000007	LABEL MADE IN 402347
19	1	6000008	LABEL TOWER 32942
20	4	C307045	SELF-TAPPING SCREW 2.9X16
21	2	C307329	TE SCREW M6X20 UNI EN-24017 - 8.8 GALVANIZED
22	2	C307331	TE SCREW M8X20 UNI EN-24017 - 8.8 GALVANIZED
23	4	C317003	SCREW TCEI M3X16 UNI-5931 - 8.8 GALVANIZED
24	4	C330001	MEDIUM NUT M3 UNI 5588 GALVANIZED
25	2	C350305	SNAP.X RING ALB.D 8 - UNI 7435
26	1	C350309	SNAP.X RING ALB.D 12 - UNI 7435
27	4	C366055	SCREW TSPEI M8X20 UNI-5933 GALVANIZED
28	2	C390004	FLAT WASHER D6 UNI 6592 GALVANIZED
29	2	C390006	FLAT WASHER D8 UNI 6592 GALVANIZED
30	2	C390008	FLAT WASHER D12 UNI 6592 GALVANIZED
31	4	C390009	FLAT WASHER D14 UNI 6592 GALVANIZED
32	5	C393006	FLAT WASHER D18 UNI 6592 STAINLESS STEEL
33	2	C397001	WAVY WASHER D12 DIN-137 TYPE "B"
34	8	C430001	FFT-Rivet steel/steel TT 4.8x12.0
35	2	C600010	LAM CAP. BASE 17638AA01 BLACK

**Part List****Applicable Lifts:**  
**E1300F-LI Rev01**  
**E1300F-LO Rev01**  
**E1300F-RI Rev01**  
**E1300F-RO Rev01**

<b>Ship out kits</b>		
<b>Code</b>	<b>Description</b>	<b>Pos.</b>
9000003	SAFETY HOOK KIT - RIGHT OR LEFT	3,8,9,11,25,26,30,32,33
9000004	SWITCH KIT - LEFT	4,10,12,13,14,19,20,22,29
9000005	SWITCH KIT - RIGHT	2,14,21,23,24,28
9000027	BASE COVER KIT - 740 mm	6,15,34,35
9000024	WELDED BASE KIT AND LABELS -740 mm	1,16,17,18
9000040	KIT GAS DAMPER	11

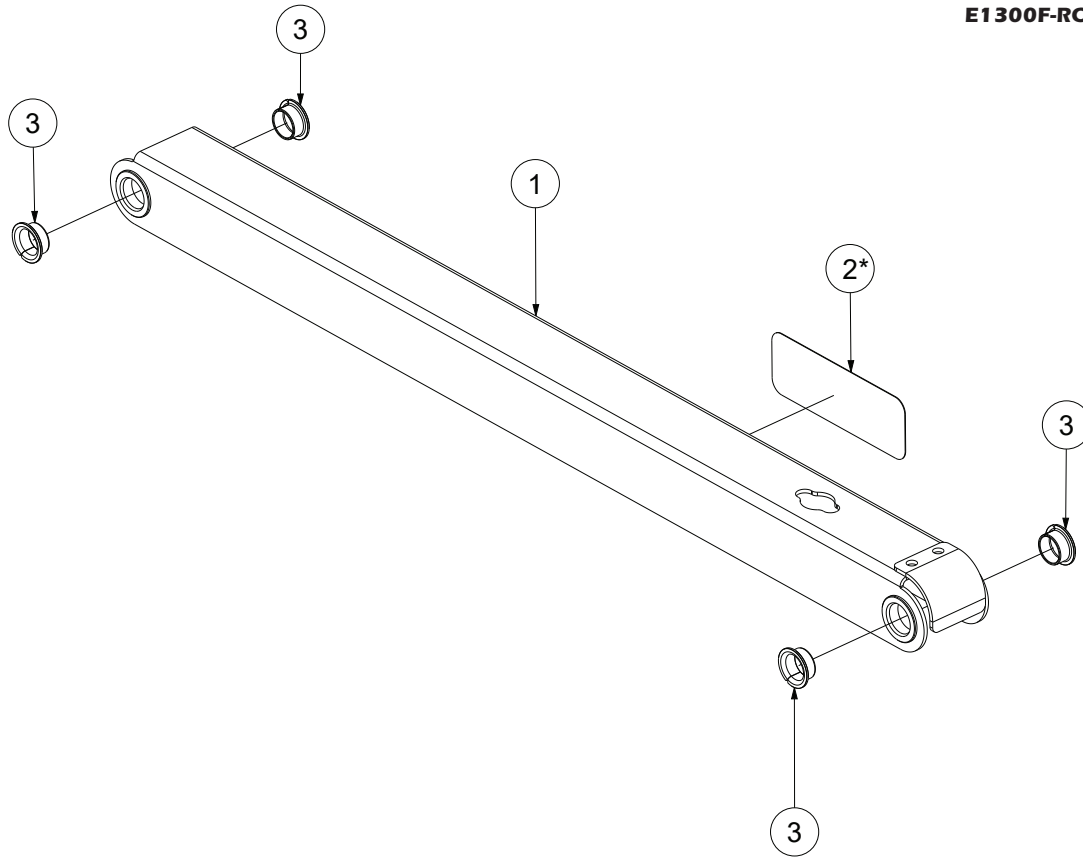
**Exploded View & Parts List**

**Applicable Lifts:**

- E1500F-LI Rev01**
- E1500F-LO Rev01**
- E1500F-RI Rev01**
- E1500F-RO Rev01**
- E1300F-LI Rev01**
- E1300F-LO Rev01**
- E1300F-RI Rev01**
- E1300F-RO Rev01**

**NOTICE**

\* - TOP LEFT ARM SHOWN, DECAL NOT USED ON TOP RIGHT ARM.



Item	Quantity	Code	Description
1	1	2000002	WELDED UPPER ARM
2	1	6000004	BRAUNABILITY LABEL
3	4	C420025	DU FLANGED BUSH Di=20 De=23 Df=30 L=12

Ship out kits		
Code	Description	Pos.
9000009	UPPER ARM KIT - RIGHT OR LEFT	1,2,3

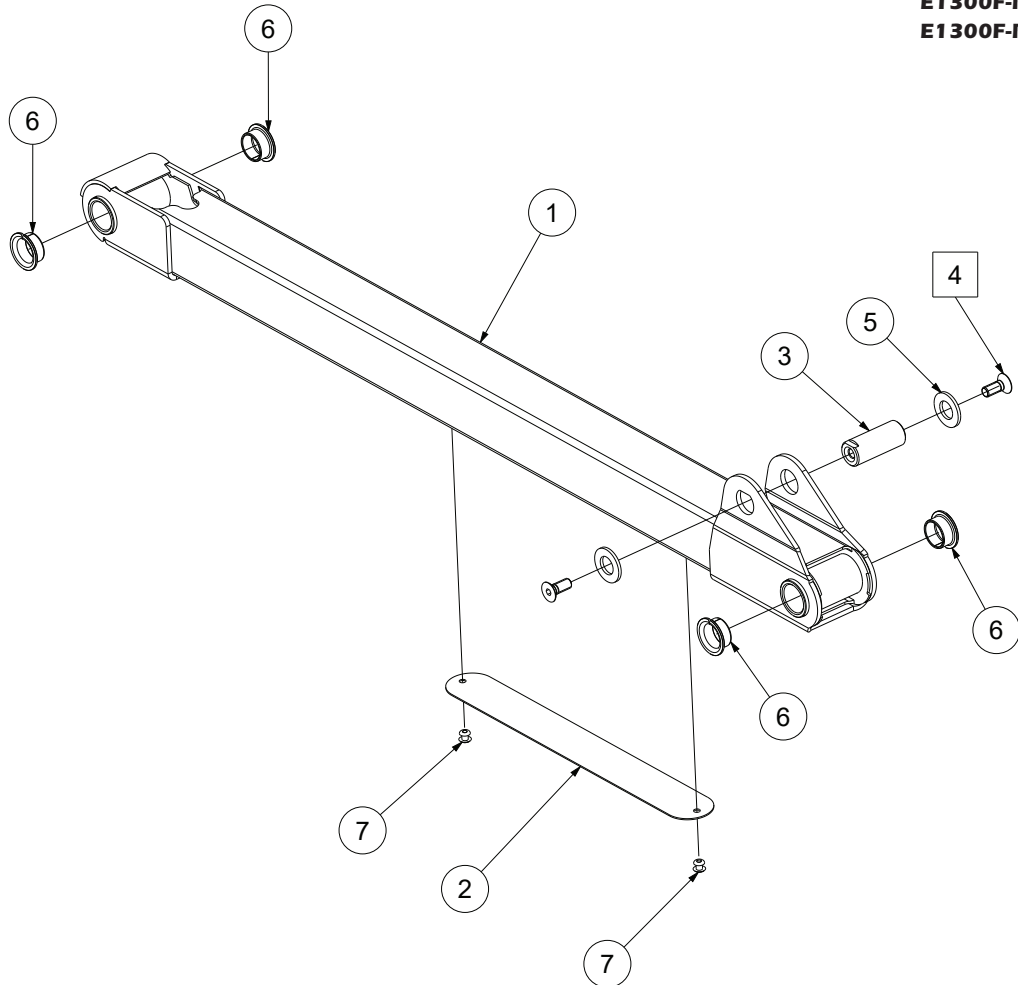
**Exploded View & Parts List**

**Applicable Lifts:**

- E1500F-LI Rev01**
- E1500F-LO Rev01**
- E1500F-RI Rev01**
- E1500F-RO Rev01**
- E1300F-LI Rev01**
- E1300F-LO Rev01**
- E1300F-RI Rev01**
- E1300F-RO Rev01**

**NOTICE**

☐ - APPLY SCOTCH-WELD™ THREADLOCKER RED TL71 (BRAUNABILITY #11522-1) OR EQUIVALENT TO THREADS ON SCREW #25527 AND TORQUE TO 25.4 Nm (225 in lb).



Item	Quantity	Code	Description
1	1	2000003	WELDED LOWER ARM
2	1	3000013	SLIDING PLATE
3	1	4000004	CYLINDER FRONT PIN
4	2	C366055	SCREW TSPEI M8X20 UNI-5933 GALVANIZED
5	2	C390009	FLAT WASHER D14 UNI 6592 GALVANIZED
6	4	C420025	DU FLANGED BUSH Di=20 De=23 Df=30 L=12
7	2	C430002	FFT-Rivet Steel/Steel TT 4.8x12.0

**Ship out kits**

Code	Description	Pos.
9000010	LOWER ARM KIT - RIGHT OR LEFT	1,2,6,7
9000041	CYLINDER PIN KIT - RIGHT AND LEFT	3,4,5

# Vertical Arm Assembly - Right

## Exploded View

**NOTICE**

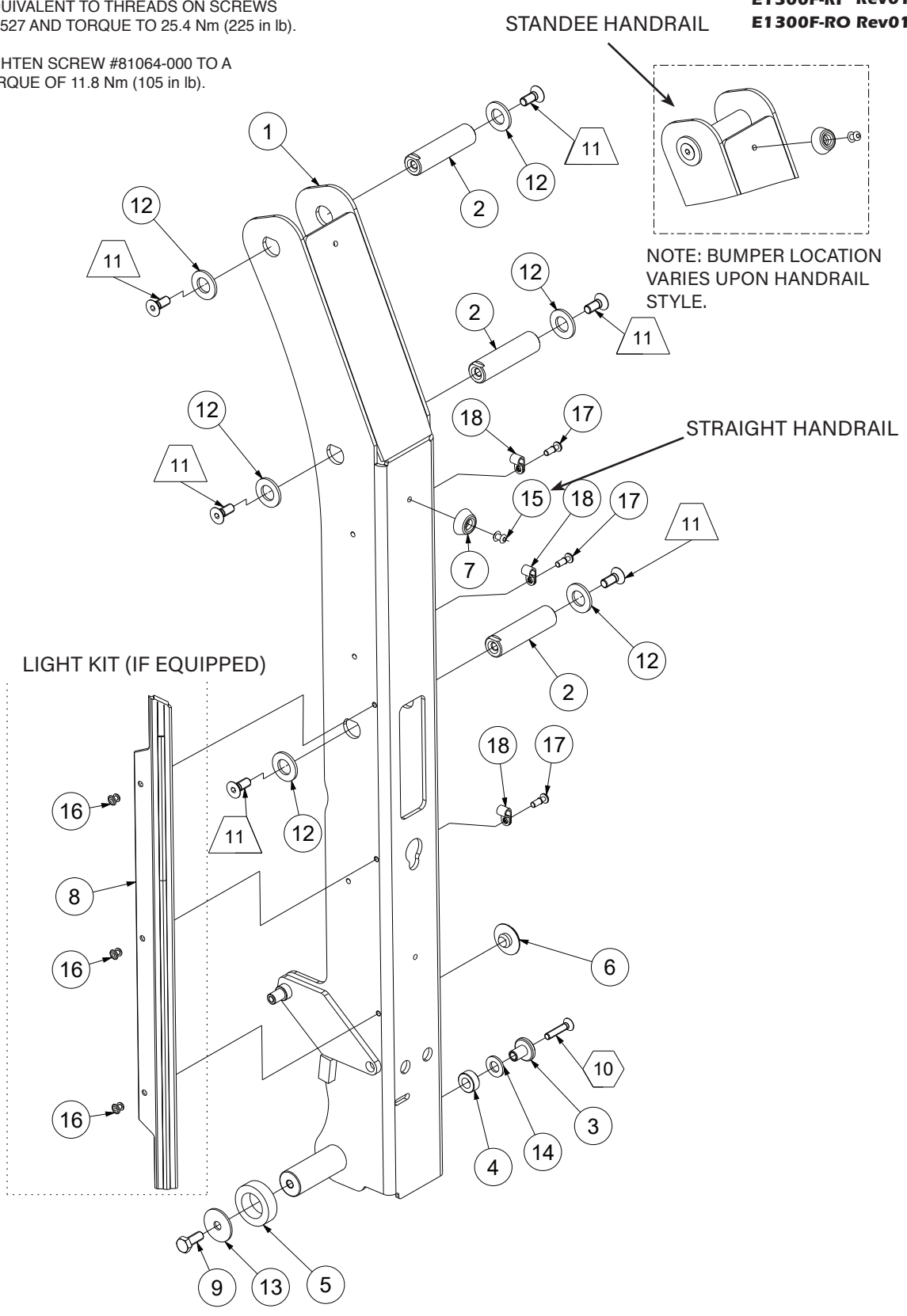
RIGHT ARM ASSY SHOWN, LEFT ARM ASSY IS A MIRROR IMAGE

△ - APPLY SCOTCH-WELD™ THREADLOCKER RED TL71 (BRAUNABILITY #11522-1) OR EQUIVALENT TO THREADS ON SCREWS #25527 AND TORQUE TO 25.4 Nm (225 in lb).

⬡ - TIGHTEN SCREW #81064-000 TO A TORQUE OF 11.8 Nm (105 in lb).

**Applicable Lifts:**

- E1500F-LI Rev01
- E1500F-LO Rev01
- E1500F-RI Rev01
- E1500F-RO Rev01
- E1300F-LI Rev01
- E1300F-LO Rev01
- E1300F-RI Rev01
- E1300F-RO Rev01



NOTE: BUMPER LOCATION VARIES UPON HANDRAIL STYLE.

**Parts List**

**Applicable Lifts:**  
**E1500F-LI Rev01**  
**E1500F-LO Rev01**  
**E1500F-RI Rev01**  
**E1500F-RO Rev01**  
**E1300F-LI Rev01**  
**E1300F-LO Rev01**  
**E1300F-RI Rev01**  
**E1300F-RO Rev01**

Item	Quantity	Code	Description
1	1	2000005	WELDED RIGHT VERTICAL ARM
2	3	4000001	ARM ROTATION PIN
3	1	4000028	WHEEL PIN
4	1	4000030	SAFETY HOOK WHEEL
5	1	4000034	PLATFORM SPACER
6	1	4000045	SLIDING CAP
7	1	5000016	HANDRAIL BUMPER
8	1	6000011	LIGHT STRIP
9	1	C307331	TE SCREW M8X20 UNI EN-24017 - 8.8 GALVANIZED
10	1	C366043	SCREW TSPEI M6X30 UNI 5933 GALVANIZED
11	6	C366055	SCREW TSPEI M8X20 UNI 5933 GALVANIZED
12	6	C390009	FLAT WASHER D14 UNI 6592 GALVANIZED
13	1	C391012	FLAT WASHER - WIDE D8 UNI 6593 GALVANIZED
14	1	C396006	FLAT WASHER M10 DIN 125 - UNI 6592 NYLON
15	1	C430001	FFT-Rivet Steel/Steel TT 4.8x12.0
16	3	C430003	RIVET, BLACK ANODIZED 4x12
17	1	C600001	PRESSURE RIVET 9729AA01 - FASTPOINT
18	3	C600002	CABLE CLIP 1249AA00 - FASTPOINT

<b>Ship out kits</b>		
Code	Description	Pos.
9000002	LIGHT STRIP KIT - PAIR	8,16
9000012	SAFETY HOOKING WHEEL KIT - PAIR	3,4,10,14
9000013	WELDED RIGHT VERTICAL ARM KIT	1,5,7,9,13,15
9000051	HANDRAIL BUMPER KIT - PAIR	7,15

# Vertical Arm Assembly - Left

## Exploded View

**NOTICE**

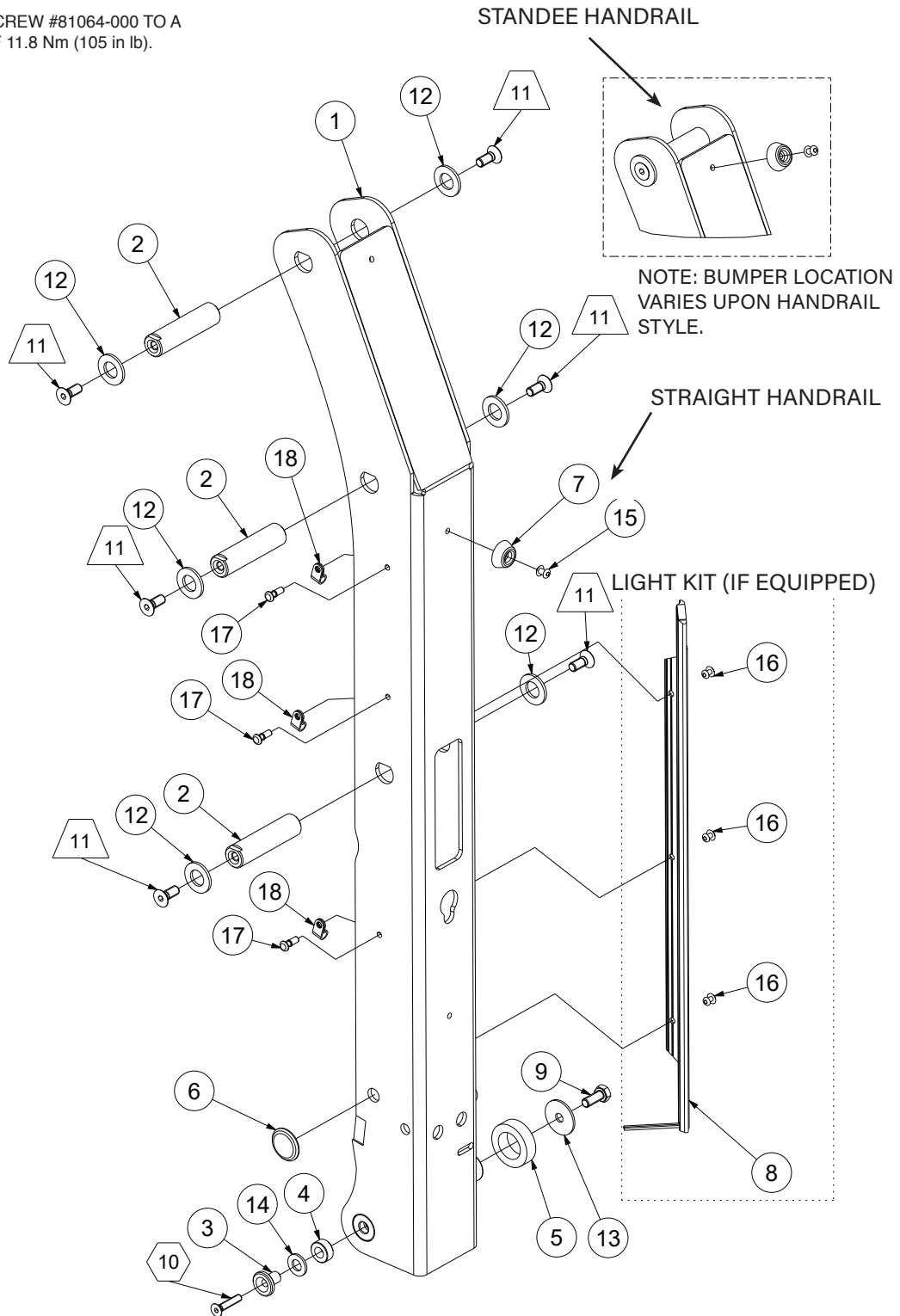
RIGHT ARM ASSY SHOWN, LEFT ARM ASSY IS A MIRROR IMAGE

△ - APPLY SCOTCH-WELD™ THREADLOCKER RED TL71 (BRAUNABILITY #11522-1) OR EQUIVALENT TO THREADS ON SCREWS #25527 AND TORQUE TO 25.4 Nm (225 in lb).

⬡ - TIGHTEN SCREW #81064-000 TO A TORQUE OF 11.8 Nm (105 in lb).

**Applicable Lifts:**

- E1500F-LI Rev01
- E1500F-LO Rev01
- E1500F-RI Rev01
- E1500F-RO Rev01
- E1300F-LI Rev01
- E1300F-LO Rev01
- E1300F-RI Rev01
- E1300F-RO Rev01



**Parts List**

**Applicable Lifts:**

- E1500F-LI Rev01**
- E1500F-LO Rev01**
- E1500F-RI Rev01**
- E1500F-RO Rev01**
- E1300F-LI Rev01**
- E1300F-LO Rev01**
- E1300F-RI Rev01**
- E1300F-RO Rev01**

Item	Quantity	Code	Description
1	1	2000004	WELDED LEFT VERTICAL ARM
2	3	4000001	ARM ROTATION PIN
3	1	4000028	WHEEL PIN
4	1	4000030	SAFETY HOOK WHEEL
5	1	4000034	PLATFORM SPACER
6	1	4000045	SLIDING CAP
7	1	5000016	HANDRAIL BUMPER
8	1	6000011	LIGHT STRIP
9	1	C307331	TE SCREW M8X20 UNI EN-24017 - 8.8 GALVANIZED
10	1	C366043	SCREW TSPEI M6X30 UNI 5933 GALVANIZED
11	6	C366055	SCREW TSPEI M8X20 UNI 5933 GALVANIZED
12	6	C390009	FLAT WASHER D14 UNI 6592 GALVANIZED
13	1	C391012	FLAT WASHER - WIDE D8 UNI 6593 GALVANIZED
14	1	C396006	FLAT WASHER M10 DIN 125 - UNI 6592 NYLON
15	1	C430001	FFT-Rivet Steel/Steel TT 4.8x12.0
16	3	C430003	RIVET, BLACK ANODIZED 4x12
17	1	C600001	PRESSURE RIVET 9729AA01 - FASTPOINT
18	3	C600002	CABLE CLIP 1249AA00 - FASTPOINT

<b>Ship out kits</b>		
Code	Description	Pos.
9000002	LIGHT STRIP KIT - PAIR	8,16
9000011	WELDED LEFT VERTICAL ARM KIT	1,5,7,9,13,15
9000012	SAFETY HOOKING WHEEL KIT - PAIR	3,4,10,14
9000051	HANDRAIL BUMPER KIT - PAIR	7,15

# Pin and Bearings Kit

## Exploded View

**Applicable Lifts:**

**E1500F-LI Rev01**

**E1500F-LO Rev01**

**E1500F-RI Rev01**

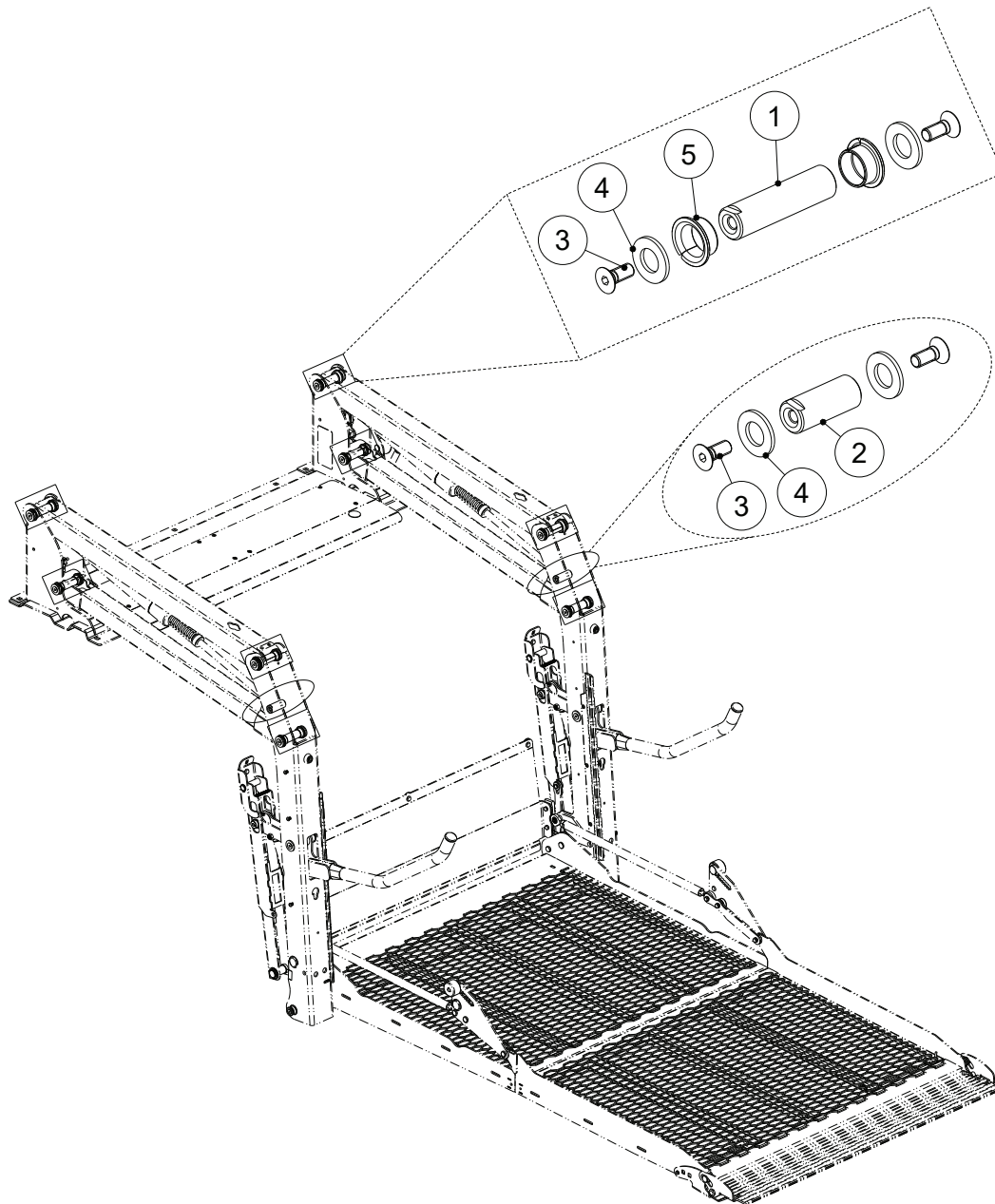
**E1500F-RO Rev01**

**E1300F-LI Rev01**

**E1300F-LO Rev01**

**E1300F-RI Rev01**

**E1300F-RO Rev01**



**Parts List**

**Applicable Lifts:**

**E1500F-LI Rev01**

**E1500F-LO Rev01**

**E1500F-RI Rev01**

**E1500F-RO Rev01**

**E1300F-LI Rev01**

**E1300F-LO Rev01**

**E1300F-RI Rev01**

**E1300F-RO Rev01**

<b>Item</b>	<b>Quantity</b>	<b>Code</b>	<b>Description</b>
1	8	4000001	ARM ROTATION PIN
2	2	4000004	CYLINDER FRONT PIN
3	20	C366055	SCREW TSPEI M8X20 UNI 5933 GALVANIZED
4	20	C390009	FLAT WASHER D14 UNI 6592 GALVANIZED
5	16	C420025	DU FLANGED BUSH Di=20 De23 Df=30 L012

<b>Ship out kits</b>		
<b>Code</b>	<b>Description</b>	<b>Pos.</b>
9000008	PIN AND BEARING KIT - PARALLEL ARM/ BASE PLATE	1,2,3,4,5

# Fold Arm Assembly - Right

## Exploded View

**Applicable Lifts:**

E1500F-LI Rev01

E1500F-LO Rev01

E1500F-RI Rev01

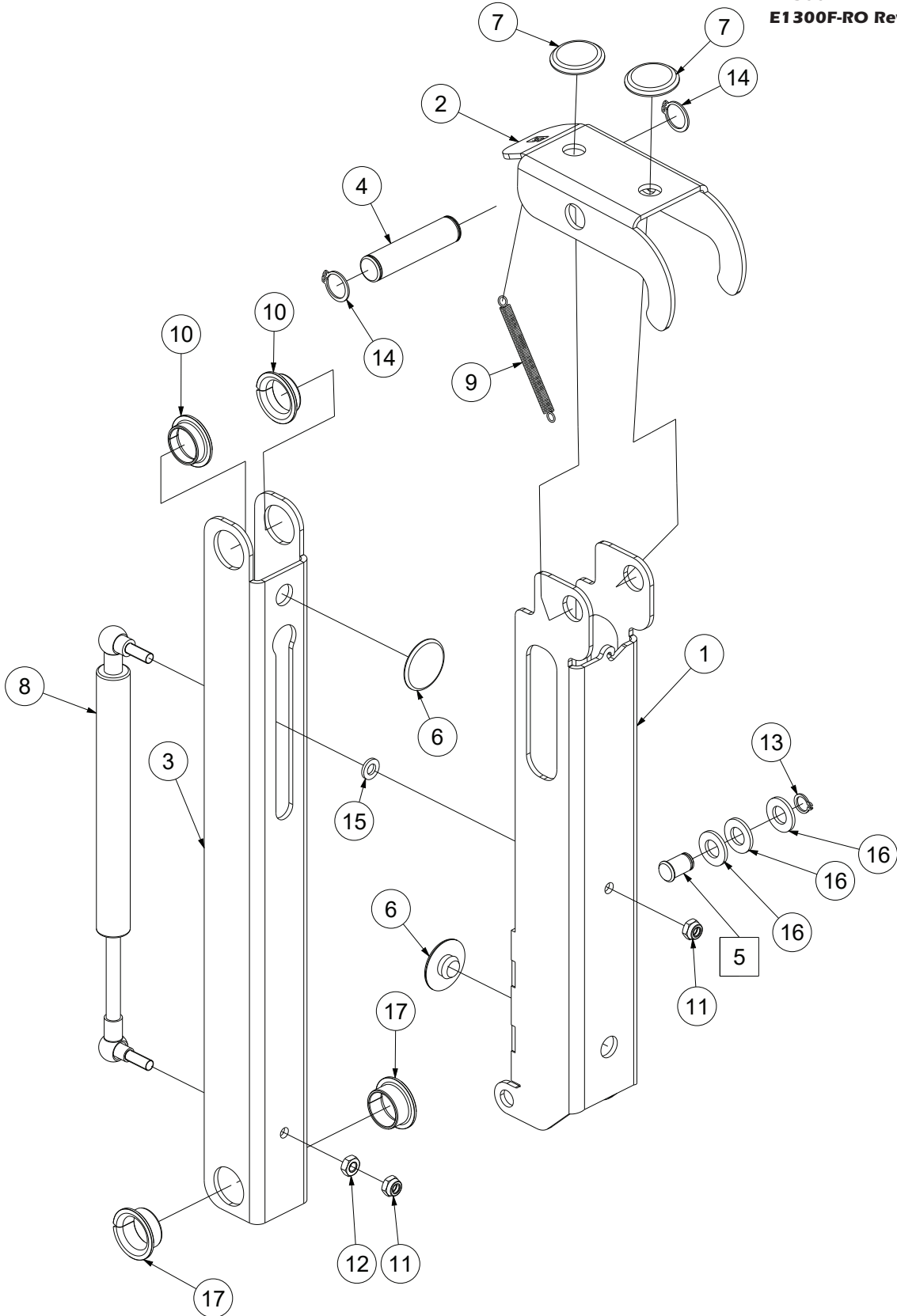
E1500F-RO Rev01

E1300F-LI Rev01

E1300F-LO Rev01

E1300F-RI Rev01

E1300F-RO Rev01



## Parts List

**Applicable Lifts:**

**E1500F-LI Rev01**  
**E1500F-LO Rev01**  
**E1500F-RI Rev01**  
**E1500F-RO Rev01**  
**E1300F-LI Rev01**  
**E1300F-LO Rev01**  
**E1300F-RI Rev01**  
**E1300F-RO Rev01**

Item	Quantity	Code	Description
1	1	2000006	WELDED SLIDING ARM
2	1	3000020	TELESCOPIC ARM SADDLE
3	1	3000021	TELESCOPIC ARM
4	1	4000006	SADDLE PIN
5	1	4000007	INTERNAL BARRIER TOP PIN
6	2	4000024	SLIDING CAP
7	2	4000045	SADDLE SLIDING CAP
8	1	5000003	GAS SPRING - AMAS57S57 - AMA-S57-S57
9	1	5000015	TENSION SPRING MATCH
10	2	5000020	DU FLANGED BUSH Di=20 De=23 Df=30 L=8
11	2	C330004	LOW SELF LOCKING NUT M6 UNI 7474 GALVANIZED
12	1	C337154	LOW NUT M6 UNI 5589 GALVANIZED
13	1	C350306	SNAP RING ALB.D 9 - UNI 7435
14	2	C350312	SNAP RING ALB.D15-UNI 7435
15	1	C390004	FLAT WASHER D6 UNI 6592 GALVANIZED
16	3	C396006	FLAT WASHER M10 DIN 125 - UNI 6592 NYLON
17	2	C420025	DU FLANGED BUSH Di=20 De=23 Df=30 L=12

Ship out kits		
Code	Description	Pos.
9000014	RIGHT OR LEFT FOLD ARM KIT	1-17
9000052	SLIDING CAP KIT - 12 PCS	6,7
9000053	TELESCOPIC GAS SPRING KIT (SINGLE)	8

# Fold Arm Assembly - Left

## Exploded View

**Applicable Lifts:**

E1500F-LI Rev01

E1500F-LO Rev01

E1500F-RI Rev01

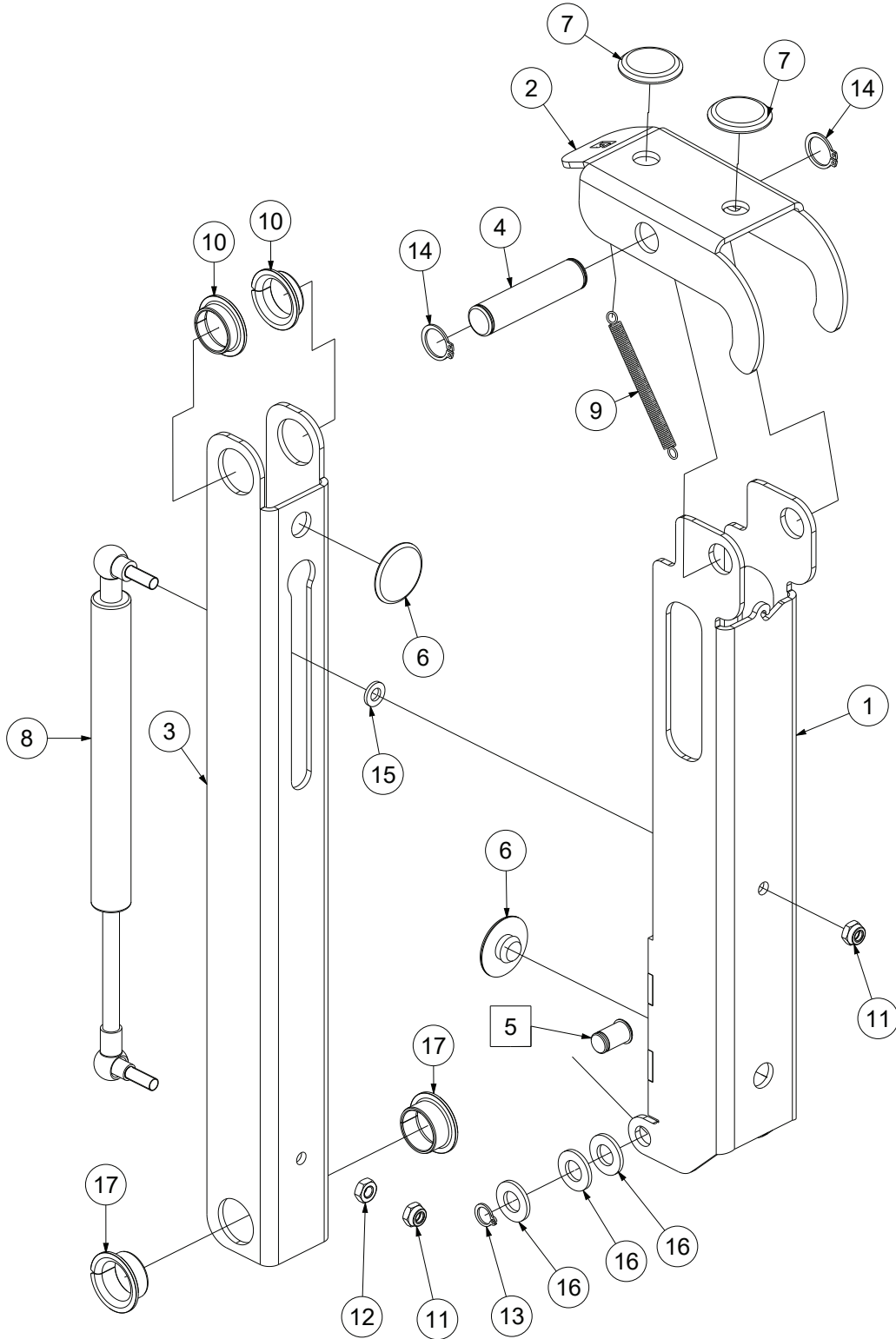
E1500F-RO Rev01

E1300F-LI Rev01

E1300F-LO Rev01

E1300F-RI Rev01

E1300F-RO Rev01



## Parts List

**Applicable Lifts:**

**E1500F-LI Rev01**  
**E1500F-LO Rev01**  
**E1500F-RI Rev01**  
**E1500F-RO Rev01**  
**E1300F-LI Rev01**  
**E1300F-LO Rev01**  
**E1300F-RI Rev01**  
**E1300F-RO Rev01**

Item	Quantity	Code	Description
1	1	2000006	WELDED SLIDING ARM
2	1	3000020	TELESCOPIC ARM SADDLE
3	1	3000021	TELESCOPIC ARM
4	1	4000006	SADDLE PIN
5	1	4000007	INTERNAL BARRIER TOP PIN
6	2	4000024	SLIDING CAP
7	2	4000045	SADDLE SLIDING CAP
8	1	5000003	GAS SPRING - AMAS57S57 - AMA-S57-S57
9	1	5000015	TENSION SPRING SADDLE
10	2	5000020	DU FLANGED BUSH Di=20 De=23 Df=30 L=8
11	2	C330004	LOW SELF LOCKING NUT M6 UNI 7474 GALVANIZED
12	1	C337154	LOW NUT M6 UNI 5589 GALVANIZED
13	1	C350306	SNAP RING ALB.D 9 - UNI 7435
14	2	C350312	SNAP RING ALB.D15-UNI 7435
15	1	C390004	FLAT WASHER D6 UNI 6592 GALVANIZED
16	3	C396006	FLAT WASHER M10 DIN 125 - UNI 6592 NYLON
17	2	C420025	DU FLANGED BUSH Di=20 De=23 Df=30 L=12

Ship out kits		
Code	Description	Pos.
9000014	RIGHT OR LEFT FOLD ARM KIT	1-17
9000052	SLIDING CAP KIT - 12 PCS	6,7
9000053	TELESCOPIC GAS SPRING KIT (SINGLE)	8

# Handrail Assembly - Left / Right

## Exploded View

**Applicable Lifts:**

**E1500F-LI Rev01**

**E1500F-LO Rev01**

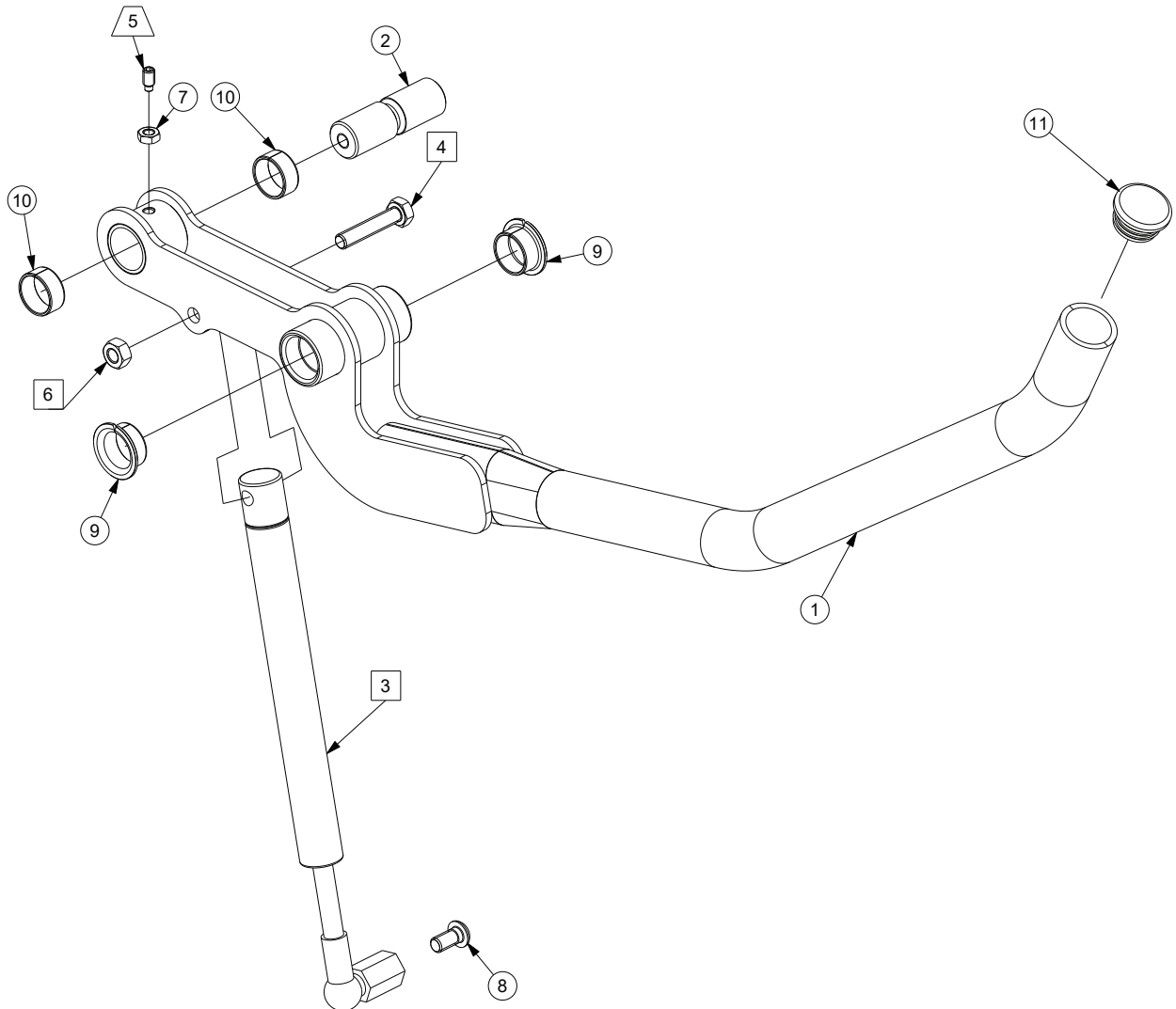
**E1500F-RI Rev01**

**E1500F-RO Rev01**

**NOTICE**

△ - APPLY SCOTCH-WELD™ THREADLOCKER RED TL71 (BRAUNABILITY #11522-1) OR EQUIVALENT TO THREADS ON SCREW.

□ - LEFT HANDRAIL SHOWN, ITEMS 3, 4, 6 AND 8 ARE MIRROR IMAGE FOR RIGHT HANDRAIL.



**Parts List****Applicable Lifts:****E1500F-LI Rev01****E1500F-LO Rev01****E1500F-RI Rev01****E1500F-RO Rev01**

<b>Item</b>	<b>Quantity</b>	<b>Code</b>	<b>Description</b>
1	1	2000039	SHORT CURVED HANDRAIL
2	1	4000023	HANDRAIL PIN
3	1	5000004	GAS SPRING - 9000000524941 - APA-TR1-S20
4	1	C307332	TE SCREW M8X40 UNI EN-24017 - 8.8 GALVANIZED
5	1	C321163	GRAIN M6X12 UNI 5925
6	1	C330006	MEDIUM NUT M8 UNI 5588 GALVANIZED
7	1	C337154	LOW NUT M6 UNI 5589
8	1	C360035	TBEI SCREW M8X16 ISO 7380 - 10.9 GALVANIZED
9	2	C420025	DU FLANGED BUSH Di=20 De=23 Df=30 L=12
10	2	C421049	DU COMPASS Di=20 De=23.0 L=10
11	1	C600003	ROUND REED INSERT - ILT/30+2.5 - BMP CAPS

<b>Ship out kits</b>		
<b>Code</b>	<b>Description</b>	<b>Pos.</b>
9000055	HANDRAIL GAS SPRING KIT (SINGLE)	3,8
9000056	SHORT CURVED HANDRAIL KIT - RIGHT OR LEFT	1,2,4,5,6,7,9,10,11

# Handrail Assembly - Left / Right

## Exploded View

**Applicable Lifts:**

**E1300F-LI Rev01**

**E1300F-LO Rev01**

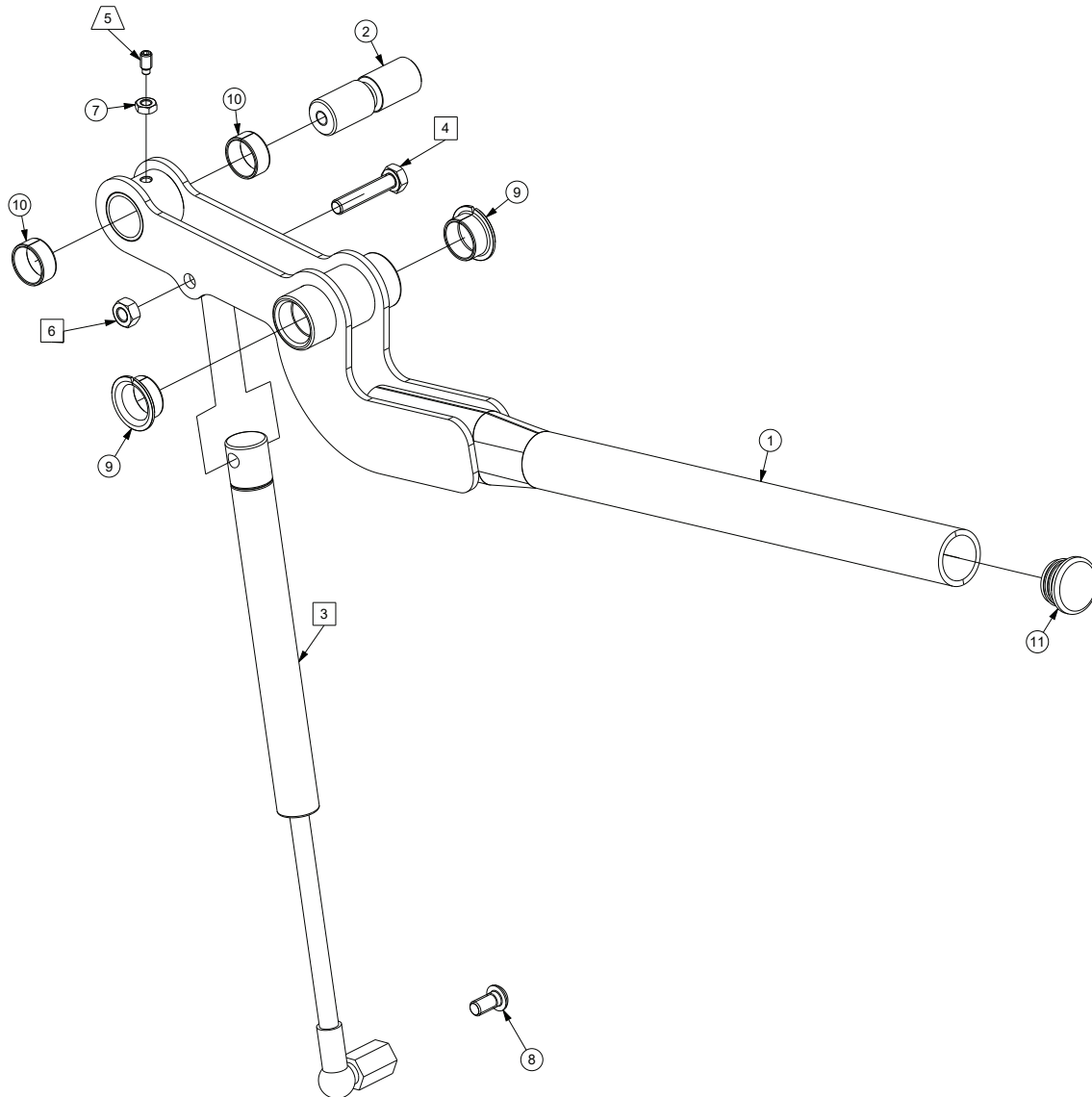
**E1300F-RI Rev01**

**E1300F-RO Rev01**

**NOTICE**

△ - APPLY SCOTCH-WELD™ THREADLOCKER RED TL71 (BRAUNABILITY #11522-1) OR EQUIVALENT TO THREADS ON SCREW.

□ - LEFT HANDRAIL SHOWN, ITEMS 3, 4, 6 AND 8 ARE MIRROR IMAGE FOR RIGHT HANDRAIL.



**Parts List**

**Applicable Lifts:**  
**E1300F-LI Rev01**  
**E1300F-LO Rev01**  
**E1300F-RI Rev01**  
**E1300F-RO Rev01**

Item	Quantity	Code	Description
1	1	2000021	SHORT HANDRAIL
2	1	4000023	HANDRAIL PIN
3	1	5000004	GAS SPRING - 9000000524941 - APA-TR1-S20
4	1	C307332	TE SCREW M8X40 UNI EN-24017 - 8.8 GALVANIZED
5	1	C321163	GRAIN M6X12 UNI 5925
6	2	C330006	MEDIUM NUT M8 UNI 5588 GALVANIZED
7	1	C337154	LOW NUT M6 UNI 5589
8	1	C360035	TBEI SCREW M8X16 ISO 7380 - 10.9 GALVANIZED
9	2	C420025	DU FLANGED BUSH Di=20 De=23 Df=30 L=12
10	2	C421049	DU COMPASS Di=20 De=23.0 L=10
11	1	C600003	ROUND REED INSERT - ILT/30+2.5 - BMP CAPS

<b>Ship out kits</b>		
Code	Description	Pos.
9000037	STRAIGHT HANDRAIL KIT - RIGHT OR LEFT	1,2,4,5,6,7,9,10,11
9000055	HANDRAIL GAS SPRING KIT (SINGLE)	3,8

This page intentionally left blank

## Exploded View

### NOTICE

□ - APPLY SCOTCH-WELD™ THREADLOCKER BLUE TL42 (BRAUNABILITY #18822) OR EQUIVALENT TO THREADS ON BOLTS #24440 AND SCREWS #30375WP SHOWN.

### Applicable Lifts:

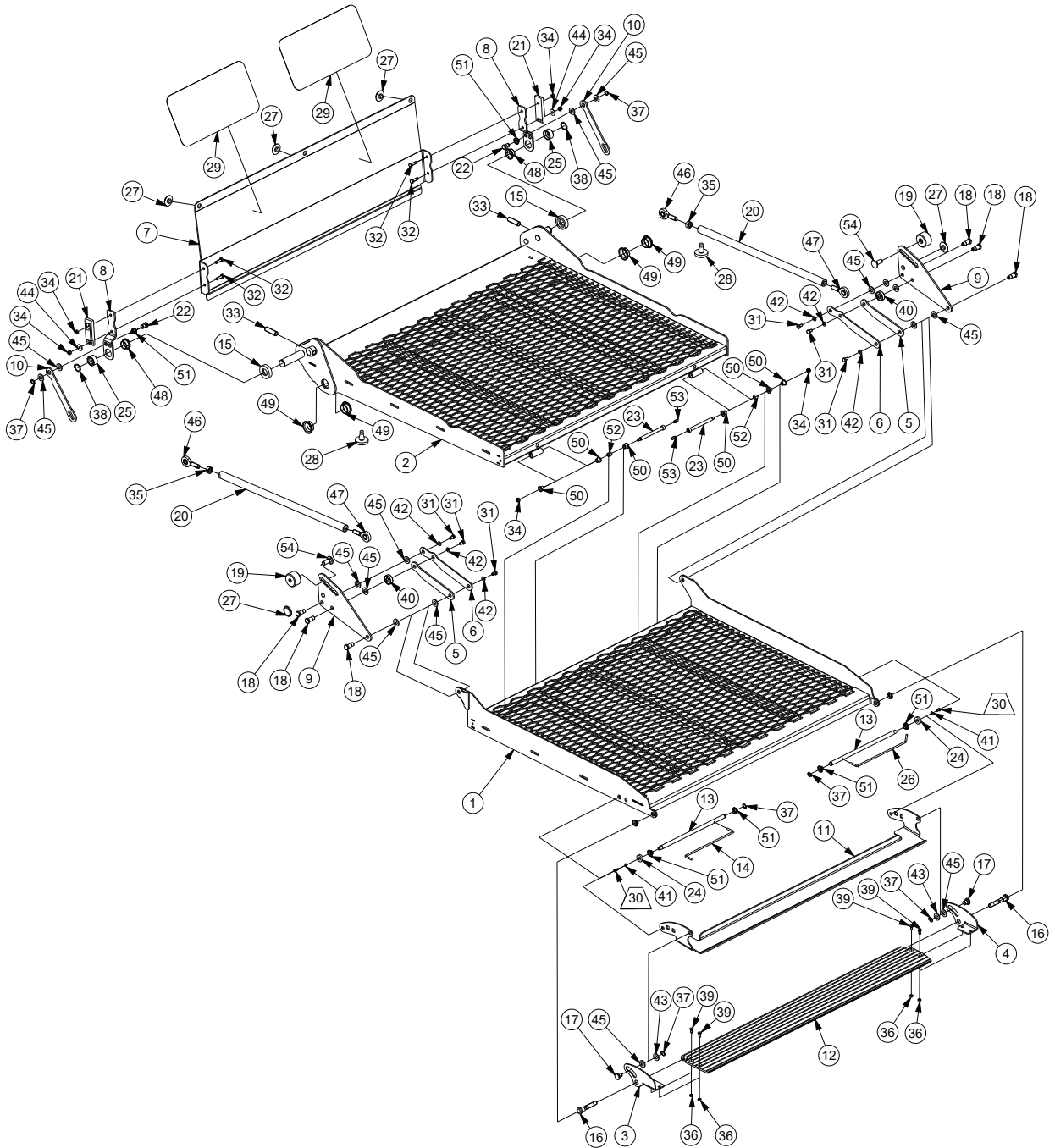
**E1500F-LI Rev01**

**E1500F-LO Rev01**

**E1500F-RI Rev01**

**E1500F-RO Rev01**

This revision is valid  
for production from  
01/01/2026



**Platform Assembly****Parts List****Applicable Lifts:****E1500F-LI Rev01****E1500F-LO Rev01****E1500F-RI Rev01****E1500F-RO Rev01**This revision is valid  
for production from  
01/01/2026

Item	Quantity	Code	Description
1	1	2000007-01	WELDED OUTER PLATFORM
2	1	2000008-01	WELDED INNER PLATFORM
3	1	3000033	LEFT BRACKET FOR OUTER ROLL STOP
4	1	3000034	RIGHT BRACKET FOR OUTER ROLL STOP
5	2	3000038	FOLD LINK SPACER
6	2	3000039	FOLD LINK SPACER
7	1	3000040	INNER BARRIER
8	2	3000041	INNER BARRIER BRACKET
9	2	3000042	FOLD LINK PLATE
10	2	3000043	INTERNAL BARRIER LEVER
11	1	3000051	OUTER ROLL STOP FOOT
12	1	4000010	OUTER ROLL STOP
13	2	4000011	EXT. FLAP TORSION BAR
14	1	4000012	LEFT ROLL STOP TORSION SPRING
15	2	4000013	INNER BARRIER SPACER
16	2	4000014	OUTER ROLL STOP PIN
17	2	4000015	OUTER ROLL STOP MOVEMENT PIN
18	6	4000016	FOLD LINK PLATE PIN
19	2	4000017	STOW ROLLER
20	2	4000018	LARGE FOLD LINK ROD
21	2	4000019	INNER BARRIER STOW BLOCK
22	2	4000020	INNER BARRIER PIN
23	2	4000031	PLATFORM HINGE PIN
24	2	4000032	OUTER ROLL STOP SPACER
25	2	4000038	FOLD ARM SPACER
26	1	4000042	RIGHT ROLL STOP TORSION SPRING
27	5	4000045	SLIDING CAP
28	2	5000068	STOW PAD
29	2	6000001	NON-SLIP ADHESIVE 300X150
30	2	C307009	TE SCREW M4X10 UNI EN-24017 - 8.8 GALVANIZED
31	6	C307328	TE SCREW M6X10 UNI EN-24017 - 8.8 GALVANIZED
32	4	C307329	TE SCREW M6X20 UNI EN-24017 - 8.8 GALVANIZED
33	2	C320110	ANGLE SET SCREW M12X40 UNI 5923
34	8	C330004	LOW SELF LOCKING NUT M6 UNI 7474 GALVANIZED
35	2	C330007	MEDIUM NUT M10 UNI 5588 GALVANIZED
36	4	C337153	LOW NUT M5 UNI 5589
37	6	C350307	SNAP RING ALB.D10-UNI 7435
38	2	C350316	SNAP RING ALB.D19-UNI 7435
39	4	C366024	SCREW TSPEI M5X12 UNI 5933 GALVANIZED
40	2	C382015	BEARING 6000-2Z (10X26X8) SKF

**Parts List**

**Applicable Lifts:**

**E1500F-LI Rev01**  
**E1500F-LO Rev01**  
**E1500F-RI Rev01**  
**E1500F-RO Rev01**

This revision is valid  
 for production from  
 01/01/2026

Item	Quantity	Code	Description
41	2	C390002	FLAT WASHER D4 UNI 6592 GALVANIZED
42	6	C390004	FLAT WASHER D6 UNI 6592 GALVANIZED
43	2	C390007	FLAT WASHER D10 UNI 6592 GALVANIZED
44	2	C391008	FLAT WASHER - WIDE D6 UNI 6593 GALVANIZED
45	16	C396006	FLAT WASHER M10 DIN 125 - UNI 6592 NYLON
46	2	C410005	BALL JOINT M10X26 RIGHT-HAND THREAD - SA 10 C
47	2	C410006	BALL JOINT M10X26 LEFT THREAD - SAL 10 C
48	2	C420025	DU FLANGED BUSH Di=10 De=12 Df=18 L=7
49	4	C420028	DU FLANGED BUSH Di=20 De=23 Df=30 L=12
50	6	C423040	DU FLANGED BUSH Di=25 De=28 Df=35 L=12
51	8	C423057	BUSHING G 8X10X10.0 - FLAN. 15X 1
52	2	C424009	BUSHING G 10X12X5.0 - FLAN. 18X 1
53	2	C570001	BUSHING G 8X10X10
54	2	C600004	GREASE NIPPLE M 6X1

Ship out kits		
Code	Description	Pos.
9000016	INNER BARRIER BRACKET KIT - RIGHT OR LEFT	8,10,15,21,22,25,32,34,37,38,44,45,48,51
9000017	INNER BARRIER KIT	7,27,29
9000018	INNER PLATFORM KIT	2,20,23,28,33,34,49,52,53
9000019	OUTER PLATFORM KIT	1,23,34,50,51,52,53
9000020	OUTER ROLL STOP KIT 860 mm	12
9000021	STOW ROLLER KIT	19,54
9000022	OUTER ROLL STOP FOOT KIT	11
9000023	LARGE FOLK LINK ROD KIT - RIGHT AND LEFT	5,6,9,18,19,20,27,31,35,40,42,45,46,47,54
9000072	OUTER ROLL STOP TORSION BAR KIT	13,14,24,26,30,37,41,51
9000112	OUTER ROLL STOP FASTENERS KIT - RIGHT AND LEFT	3,4,16,17,36,37,39,43,45

# Platform Assembly

## Exploded View

**NOTICE**

□ - APPLY SCOTCH-WELD™ THREADLOCKER BLUE TL42 (BRAUNABILITY #18822) OR EQUIVALENT TO THREADS ON BOLTS #24440 AND SCREWS #30375WP SHOWN.

**Applicable Lifts:**

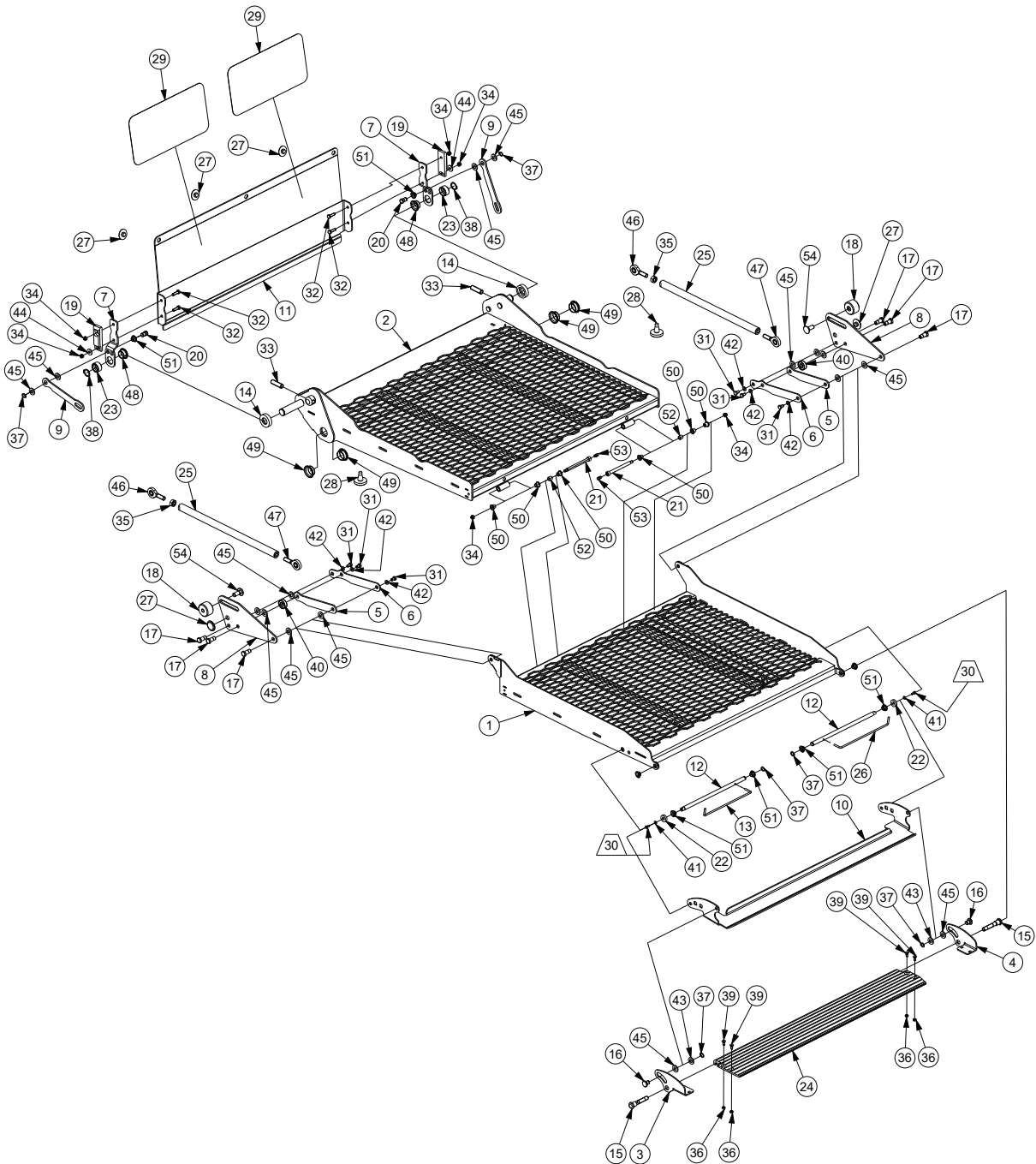
**E1300F-LI Rev01**

**E1300F-LO Rev01**

**E1300F-RI Rev01**

**E1300F-RO Rev01**

This revision is valid for production from 01/01/2026



## Parts List

**Applicable Lifts:**

**E1300F-LI Rev01**

**E1300F-LO Rev01**

**E1300F-RI Rev01**

**E1300F-RO Rev01**

This revision is valid  
for production from  
01/01/2026

Item	Quantity	Code	Description
1	1	2000019-01	WELDED OUTER PLATFORM
2	1	2000020-01	WELDED INNER PLATFORM
3	1	3000033	LEFT BRACKET FOR OUTER ROLL STOP
4	1	3000034	RIGHT BRACKET FOR OUTER ROLL STOP
5	2	3000038	FOLD LINK SPACER
6	2	3000039	FOLD LINK SPACER
7	2	3000041	INNER BARRIER BRACKET
8	2	3000042	FOLD LINK PLATE
9	2	3000043	INTERNAL BARRIER LEVER
10	1	3000067	OUTER ROLL STOP FOOT
11	1	3000068	INNER BARRIER
12	2	4000011	EXT. FLAP TORSION BAR
13	1	4000012	LEFT ROLL STOP TORSION SPRING
14	2	4000013	INNER BARRIER SPACER
15	2	4000014	OUTER ROLL STOP PIN
16	2	4000015	OUTER ROLL STOP MOVEMENT PIN
17	6	4000016	FOLD LINK PLATE PIN
18	2	4000017	STOW ROLLER
19	2	4000019	INNER BARRIER STOW BLOCK
20	2	4000020	INNER BARRIER PIN
21	2	4000031	PLATFORM HINGE PIN
22	2	4000032	OUTER ROLL STOP SPACER
23	2	4000038	FOLD ARM SPACER
24	1	4000039	OUTER ROLL STOP
25	2	4000040	SMALL FOLD LINK ROD
26	1	4000042	RIGHT ROLL STOP TORSION SPRING
27	5	4000045	SLIDING CAP
28	2	5000068	STOW PAD
29	2	6000001	NON-SLIP ADHESIVE 300X150
30	2	C307009	TE SCREW M4X10 UNI EN-24017 - 8.8 GALVANIZED
31	6	C307328	TE SCREW M6X10 UNI EN-24017 - 8.8 GALVANIZED
32	4	C307329	TE SCREW M6X20 UNI EN-24017 - 8.8 GALVANIZED
33	2	C320110	ANGLE SET SCREW M12X40 UNI 5923
34	8	C330004	LOW SELF LOCKING NUT M6 UNI 7474 GALVANIZED
35	2	C330007	MEDIUM NUT M10 UNI 5588 GALVANIZED
36	4	C337153	LOW NUT M5 UNI 5589
37	6	C350307	SNAP RING ALB.D10-UNI 7435
38	2	C350316	SNAP RING ALB.D19-UNI 7435
39	4	C366024	SCREW TSPEI M5X12 UNI 5933 GALVANIZED
40	2	C382015	BEARING 6000-2Z (10X26X8) SKF

## Platform Assembly

### Parts List

**Applicable Lifts:**
**E1300F-LI Rev01**
**E1300F-LO Rev01**
**E1300F-RI Rev01**
**E1300F-RO Rev01**

This revision is valid  
for production from  
01/01/2026

Item	Quantity	Code	Description
41	2	C390002	FLAT WASHER D4 UNI 6592 GALVANIZED
42	6	C390004	FLAT WASHER D6 UNI 6592 GALVANIZED
43	2	C390007	FLAT WASHER D10 UNI 6592 GALVANIZED
44	2	C391008	FLAT WASHER - WIDE D6 UNI 6593 GALVANIZED
45	16	C396006	FLAT WASHER M10 DIN 125 - UNI 6592 NYLON
46	2	C410005	BALL JOINT M10X26 RIGHT-HAND THREAD - SA 10 C
47	2	C410006	BALL JOINT M10X26 LEFT THREAD - SAL 10 C
48	2	C420025	DU FLANGED BUSH Di=20 De=23 Df=30 L=12
49	4	C420028	DU FLANGED BUSH Di=25 De=28 Df=35 L=12
50	6	C423040	BUSHING G 8X10X10.0 - FLAN. 15X 1
51	8	C423057	KF FLANGED BUSH Di=10 De=12 Df=18 L=7
52	2	C424009	BUSHING G 8X10X10
53	2	C570001	GREASE NIPPLE M 6X1
54	2	C600004	CARRIAGE BOLT - DIN 603 - M10 x 25

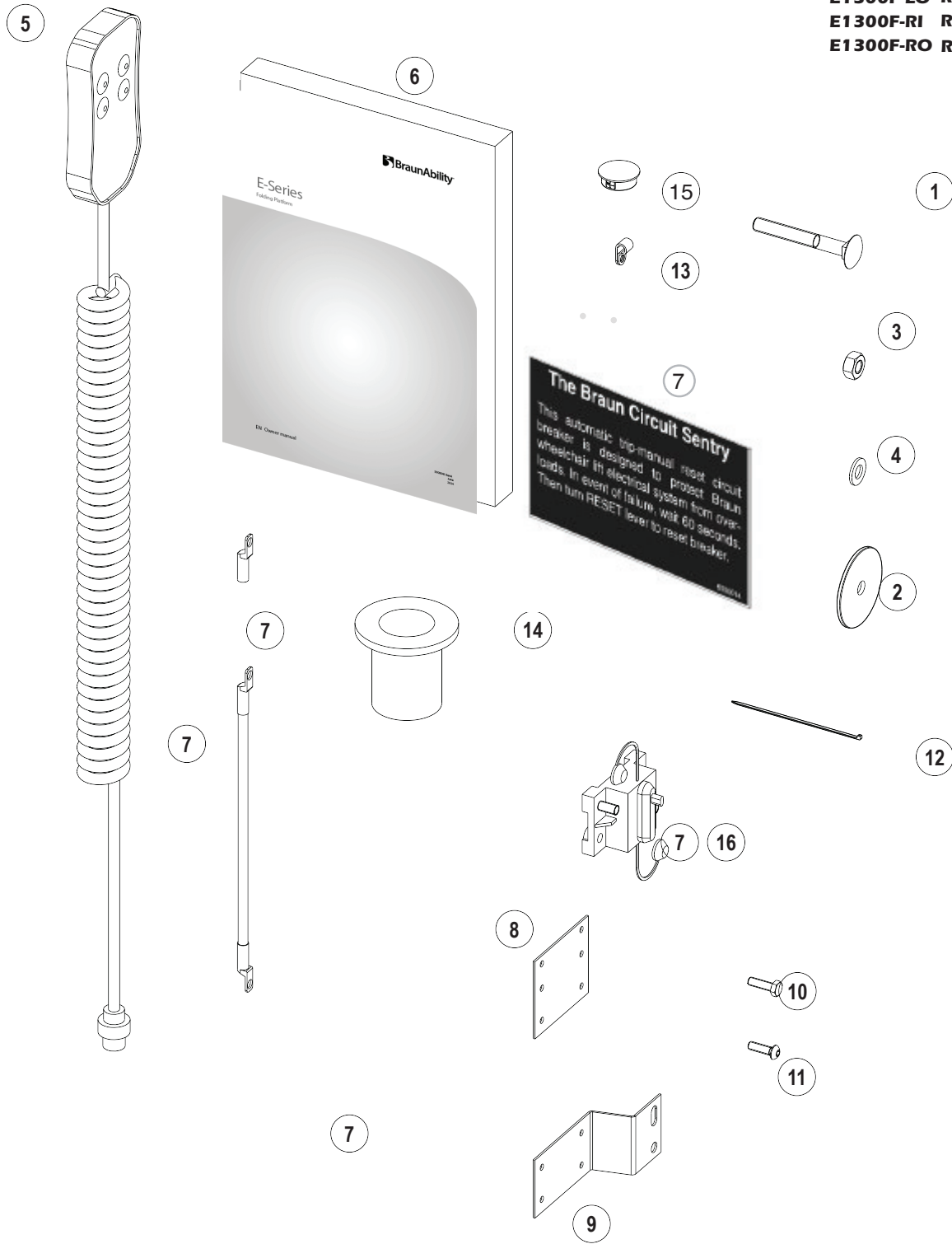
### Ship out kits

Code	Description	Pos.
9000016	INNER BARRIER BRACKET KIT - LEFT OR RIGHT	7,9,14,19,20,23,32,34,37,38,44,45,48,51
9000021	STOW ROLLER KIT	18,54
9000029	INNER BARRIER KIT	11,27,29
9000030	INNER PLATFORM KIT	2,14,21,28,33,34,49,50,52,53
9000031	OUTER PLATFORM KIT	1,21,34,50,51,52,53
9000032	OUTER ROLL STOP KIT 740 mm	24
9000033	OUTER ROLL STOP FOOT KIT	10
9000034	SMALL FOLK LINK ROD KIT - RIGHT AND LEFT	5,6,8,17,18,25,31,35,40,42,45,46,47,54
9000072	OUTERR ROLL STOP TORSION BAR KIT	12,13,22,26,30,37,41,51
9000112	OUTER ROLL STOP FASTENERS KIT - RIGHT AND LEFT	3,4,15,16,36,37,39,43,45

Exploded View

**Applicable Lifts:**

- E1500F-LI Rev01**
- E1500F-LO Rev01**
- E1500F-RI Rev01**
- E1500F-RO Rev01**
- E1300F-LI Rev01**
- E1300F-LO Rev01**
- E1300F-RI Rev01**
- E1300F-RO Rev01**



**Contents of the pallet upon delivery****Parts List****Applicable Lifts:****E1500F-LI Rev01****E1500F-LO Rev01****E1500F-RI Rev01****E1500F-RO Rev01****E1300F-LI Rev01****E1300F-LO Rev01****E1300F-RI Rev01****E1300F-RO Rev01**

Item	Quantity	Code	Description
1	8	C600008	ROUND HEAD SCREW M10X80 8.8 ZN FULLY THREADED
2	8	C398001	FLAT WASHER D10X60 UNI6592 ZN
3	8	C339001	M10 SELF-LOCKING NUT HIGH 8G DIN 982 ZN
4	8	C390007	FLAT WASHER M10
5	1	5000012	WIRED REMOTE CONTROL 4 BUTTONS
6	1	5000045	USER AND MAINTENANCE MANUAL & FOLDING SERIES
7	1	5000014	RED POWER CABLE +100A RESETTABLE FUSE+ TERMINAL LUG
8	1	3000138	FUSE SUPPORT SHEET
9	1	3000139	BENT SHEET FUSE SUPPORT
10	4	C600013	SELF-DRILLING SCREW 6.3X25
11	4	C600014	SELF-DRILLING SCREW
12	-	-	PLASTIC TIE
13	5	C600012	CABLE CLAMP IN PLASTIC
14	1	405373	CABLE PROTECTION FLANGE
15	2	C600010	LAM CAP. BASE 17638AA01 BLACK
16	1	5000074	100A RESETTABLE FUSE ( SPARE PART ONLY)

**Ship out kits**

Code	Description	Pos.
9000062	WIRED HAND CONTROL KIT	5
9000100	BATTERY CABLE KIT	7
9000101	POWER CABLE FUSE KIT	8,9,10,11,16
9000102	MOUNTING LIFT KIT	1,2,3,4,10,11,13,14,15

**Applicable Lifts:**

- E1500F-LI Rev01**
- E1500F-LO Rev01**
- E1500F-RI Rev01**
- E1500F-RO Rev01**
- E1300F-LI Rev01**
- E1300F-LO Rev01**
- E1300F-RI Rev01**
- E1300F-RO Rev01**



Notice: Clean surface with isopropyl alcohol before decal or antiskid application. Use a clean cloth or paper towels, Do not use oily shop rags. Wipe surface free of residue with dry portion of cleaning cloth.

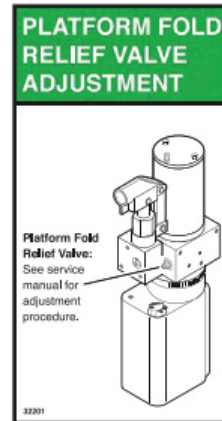
**Antiskid**

Antiskid		
Size	Color	Part No.
290 mm x 150 mm	Black	6000001

**Decals**



Olmedo Code 6000002 / BraunAbility Code 402352  
Decal, Warn, Inst/Serv Intl, CE  
(70 mm x 52 mm)



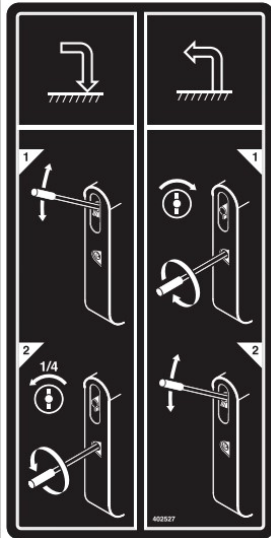
Olmedo Code 6000003 / BraunAbility Code 32201  
Decal, Dual Relief Adjustment  
(44 mm x 79 mm)



Olmedo Code 6000004 / BraunAbility Code 402346  
Decal, BraunAbility Logo-QLD DPA  
(70 mm x 140 mm)



Olmedo Code 6000005 / BraunAbility Code 37589  
Decal, Warn, Hydraulic Press Adj. Intl, CE  
(50 mm x 53 mm)



Olmedo Code 6000006 / Braun Ability Code 402527  
Decal, Manual OP-QLD DPA  
(70 mm x 140 mm)

**Applicable Lifts:**

- E1 500F-LI Rev01**
- E1 500F-LO Rev01**
- E1 500F-RI Rev01**
- E1 500F-RO Rev01**
- E1 300F-LI Rev01**
- E1 300F-LO Rev01**
- E1 300F-RI Rev01**
- E1 300F-RO Rev01**



Olmedo Code 6000008 / BraunAbility Code 32942  
Switch Label – Tower 2 & Tower 1  
(37 mm x 25 mm)



Olmedo Code 6000007  
Decal, Authorized Rep  
QC Inspect – Autoadapt, Intl, CE  
(51 mm x 106 mm)

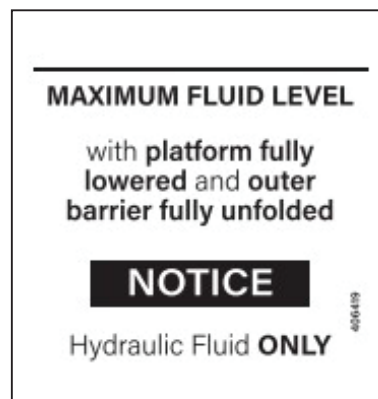


**Service Info & Manuals**

**E-Series Folding Rev01**  
[braunability.eu/folding-rev01](http://braunability.eu/folding-rev01)  
Olmedo code 6000020 / BraunAbility Code 425240  
(50 mm x 70 mm)



Quality inspected by:



Olmedo Code 6000012  
Decal, Max Fluid Level, Hydraulic  
(60 mm x 50 mm)

**Applicable Lifts:**

**E1500F-LI Rev01**

**E1500F-LO Rev01**

**E1500F-RI Rev01**

**E1500F-RO Rev01**

**E1300F-LI Rev01**

**E1300F-LO Rev01**

**E1300F-RI Rev01**

**E1300F-RO Rev01**

Item	Quantity	Code	Description
1	1	6000001	ANTISKID
2	1	6000002	DECAL, WARNING INST/SERV INTL
3	1	6000003	DECAL, DUAL RELIEF ADJUSTMENT
4	1	6000004	DECAL, BRAUNABILITY LOGO
5	1	6000005	DECAL, DECAL WARNING HYDRAULIC PRESS ADJ. INTL
6	1	6000006	DECAL, MANUAL OP-QLD DPA
7	1	6000007	DECAL, AUTHORIZED REP QC INSPENCTION
8	1	6000008	SWITCH LABEL
9	1	6000009	DECAL, WARNING INST/SERV INTL
10	1	6000012	DECAL, MAX FLUID LEVEL
11	1	6000020	DECAL, SERVICE INFO & MANUALS QR CODE

Ship out kits		
Code	Description	Pos.
9000104	ANTISKID (x4)	1
9000103	KIT LABELS	2,3,4,5,6,7,8,9,10

This page intentionally left blank



The product complies with European safety requirements



BraunAbility Europe AB is certified in accordance with ISO 9001:2015 and ISO 14001:2015

Illustrations, descriptions and specifications in the user manual are based on current product information.

BraunAbility Europe AB reserves the right to make alterations without previous notice.

© 2024 BraunAbility Europe AB

**BraunAbility Europe AB**

Åkerivägen 7                      Phone: +46 302 254 00  
443 61 Stenkullen                E-mail: [info@braunability.eu](mailto:info@braunability.eu)  
Sweden                                [www.braunability.eu](http://www.braunability.eu)