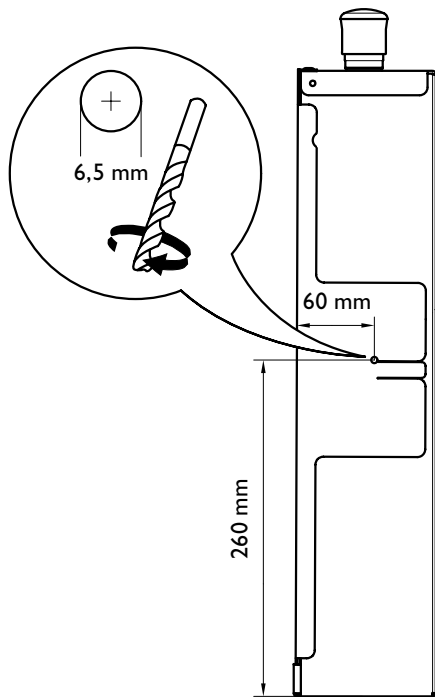


# Classic Series

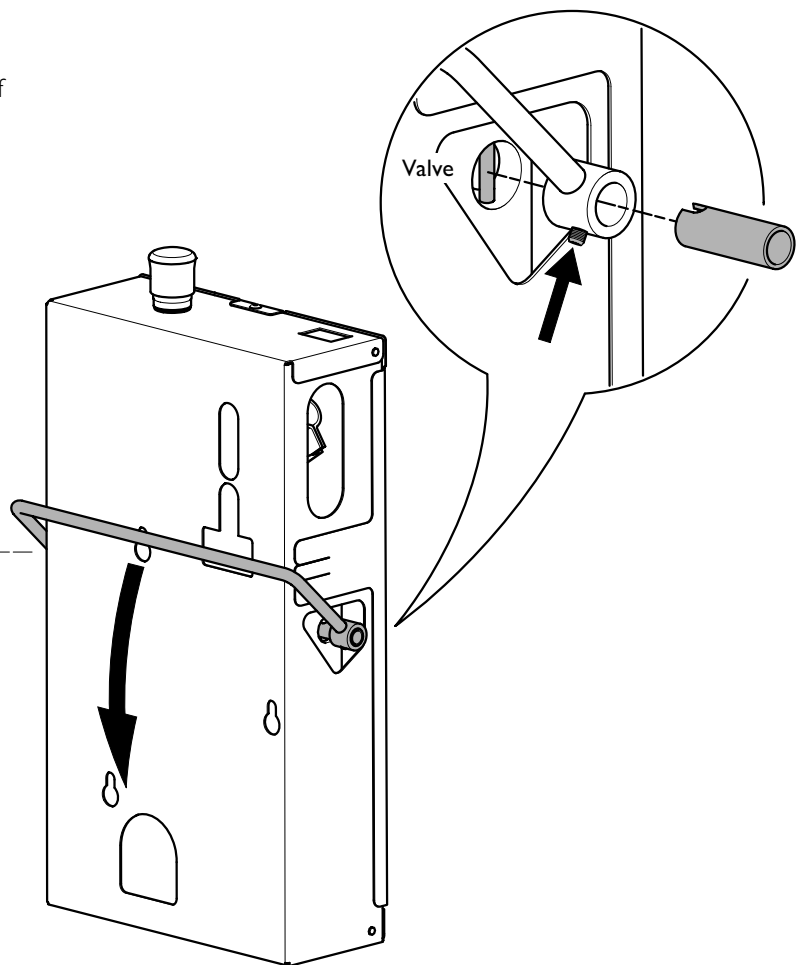
## Emergency release bar, mount and use instructions

EN

- 1 Drill a  $\varnothing$  6,5 mm hole through the cover of the pump module. Be careful not to drill too deep. Place the pegged end of the release bar in the hole.



- 2 Make sure the valve is closed. Fit the sleeve in to the valve and tighten the allen screw. If the valve is not properly closed the weight of the release bar might cause the valve to gradually open.



- 3 Ensure proper function by pushing down the release bar to open the valve and lower the platform.