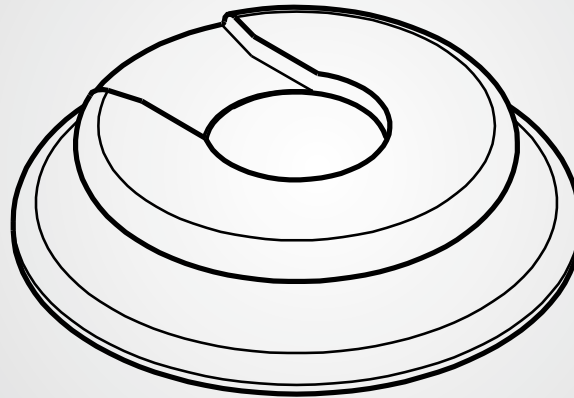


# Solo static floor anchor

Single anchoring point for dedicated wheelchair spaces



Solo static floor anchor | S 10 |

EN Installation and user manual



SV

EN

DE

FR

ES

IT

Thank you for choosing a

# Solo static floor anchor from BraunAbility!

The following manual is an important part of the product, providing you with information on how to achieve maximum performance and safe operation. Keep the manual in a safe place so that you can refer to it when necessary.



*Indicates a warning for a situation in which damage, body injury or death could result if the warning is ignored.*

If you have any questions about your adaptation, please contact your installation engineer. If you want to know more about us and our range of car adaptation solutions visit [www.braunability.eu](http://www.braunability.eu).

Once again, thank you for placing your confidence in our products!





*This product is designed for a specific purpose and should be used accordingly. Any other use is not recommended and may compromise the safety of the product user.*

## Safety

---

6 General guidance

## Installation

---

7 Installation planning

8 Drilling

9 Orientation

## Operation

---

10 Fit and use

## Care instructions

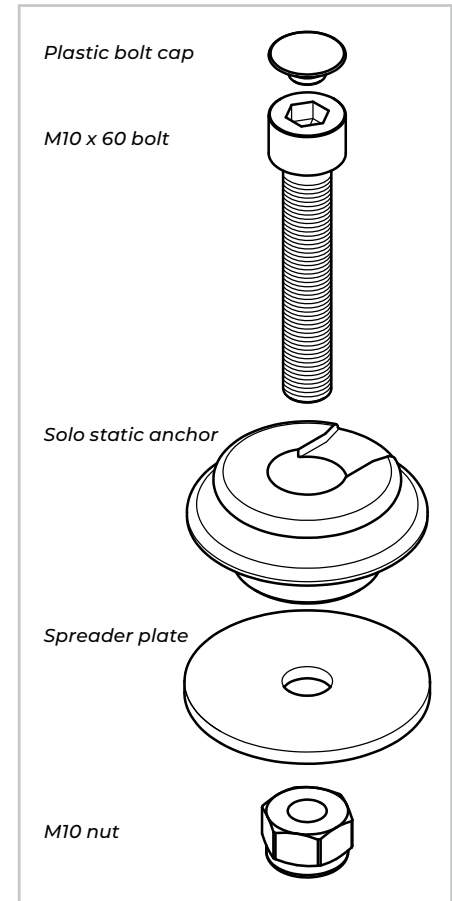
---

11 Maintenance

# Safety

## General guidance

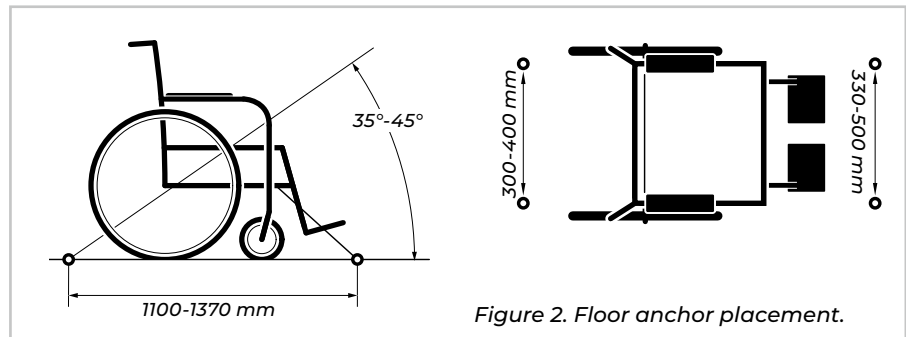
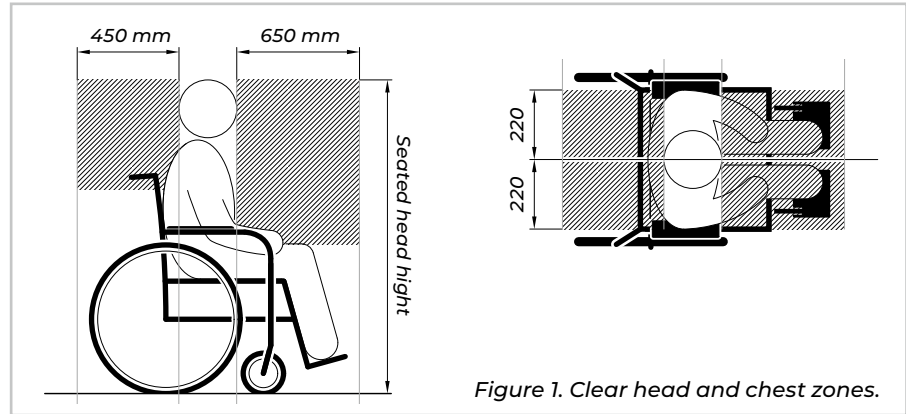
- 1 It is recommended that Solo static floor anchors are installed by an experienced technician/vehicle converter.
- 2 Do not make any alterations to the Solo static floor anchors.
- 3 Do not install the floor anchors to unsound metal, wood, or plastic structures without additional and suitable reinforcement.
- 4 Solo static floor anchors meet the requirements of ISO 10542 & SAE J2249. Testing was conducted to the same configuration to that recommended by this guide, any deviation from the recommendation is the responsibility of the installer.



# Installation

## Installation planning

- 1 Position the wheelchair facing forward, centrally in the designated region of the vehicle.
- 2 Allow a clear zone of at least 450 mm behind, and 650 mm in front of the head of the wheelchair user (Figure 1). When positioning the wheelchair, take the location of the shoulder belt anchorage into account.
- 3 Mark out the chosen floor anchor points, guidance positions are shown in Figure 2, and check under the vehicle if there are no brake lines, fuel tanks, or chassis parts blocking the installation.



# Installation

## Drilling



*Look under the vehicle before drilling to make sure no unintended damage occurs.*

- 4** Drill a 11 mm hole through all layers of the car floor and counterbore the hole to 35 mm with a depth of 13 mm (Figure 3).

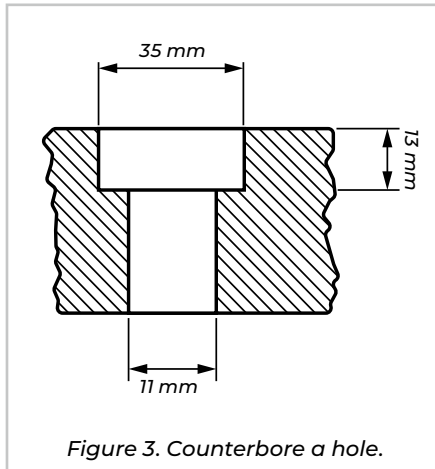


Figure 3. Counterbore a hole.

- 5** Mount the floor anchor through the layers as shown in Figure 4.

If you need to modify the spreader plate to clear an obstruction, always leave at least 15 mm around the bolt hole.

It may be necessary to provide fillers between the vehicle floor convolutions to prevent these from being crushed when the nuts are tightened.

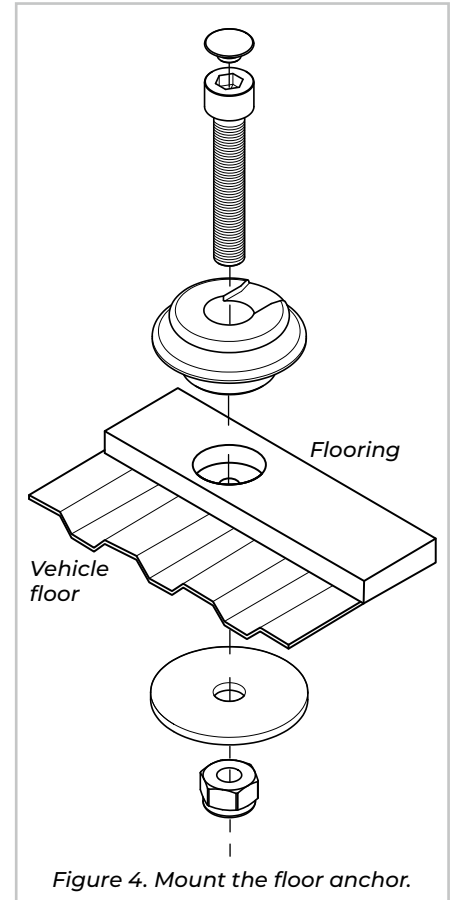


Figure 4. Mount the floor anchor.



# Installation

## Orientation

**6** It is essential that the slot in each floor anchor is orientated as shown in Figure 5.

Tighten to 30 Nm from underneath using the nut and the spreader plate.



*Check that each floor anchor is operating correctly by attaching the tie-down straps to the floor anchors.*

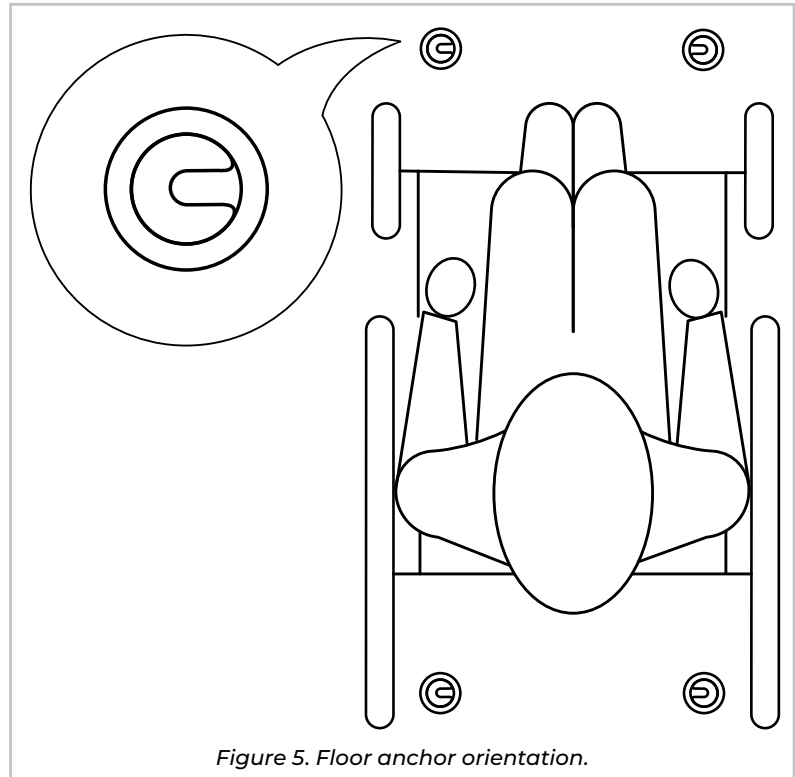
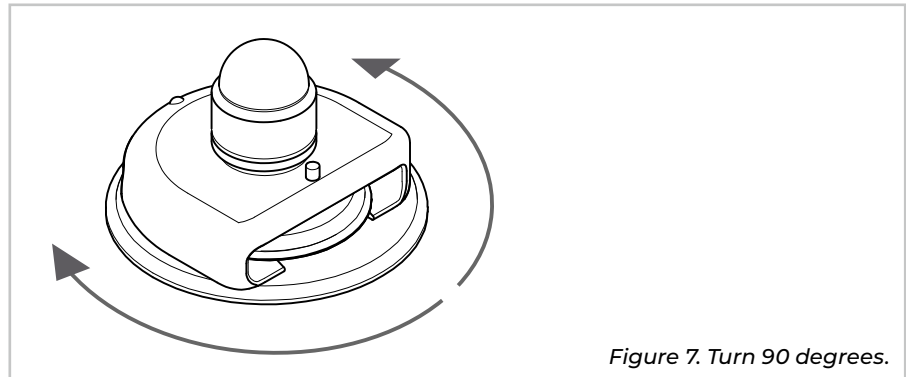
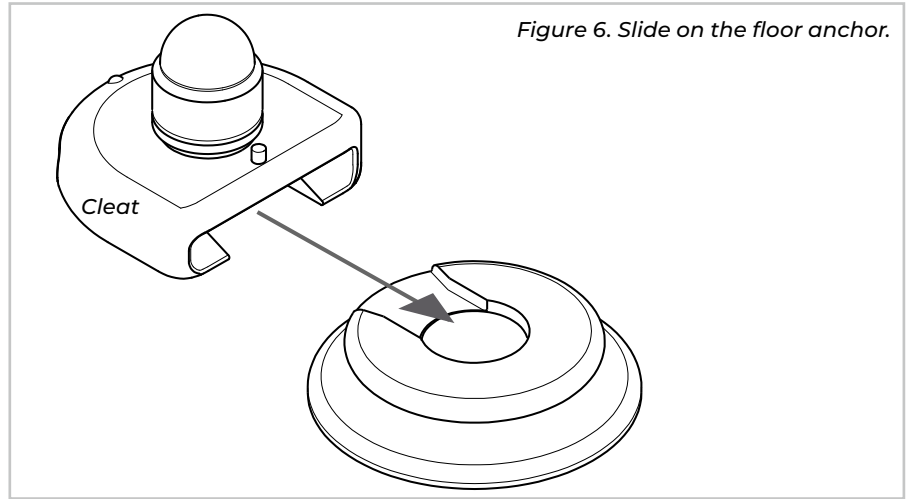


Figure 5. Floor anchor orientation.

## Installation

### Fit and use

- 1 Attach a tie-down onto the floor anchor by sliding the cleat on the slot (Figure 6). Slide the cleat fully home.
- 2 Rotate the cleat 90 degrees, clockwise or counterclockwise, to secure (Figure 7).
- 3 To remove the cleat from a floor anchor, turn the cleat 90 degrees and slide off.



# Care instructions

## Maintenance

Solo static floor anchors are made from stainless steel and therefore only require a periodic brush to remove debris from the slot and mating surfaces.





**BraunAbility Safety Centre**  
Accredited test laboratory  
[www.braunability.eu](http://www.braunability.eu)



BraunAbility Europe AB is certified  
in accordance with ISO 9001:2015  
and ISO 14001:2015

Illustrations, descriptions and specifications in the user manual are based on current product information.  
BraunAbility Europe AB reserves the right to make alterations without previous notice.  
© 2024 · BraunAbility Europe AB

**BraunAbility Europe AB**

Åkerivägen 7  
443 61 Stenkullen  
Sweden

Phone: +46 302 254 00  
E-mail: [info@braunability.eu](mailto:info@braunability.eu)  
[www.braunability.eu](http://www.braunability.eu)